

A breath of fresh air for pellets

# FireWIN

Fully automatic pellet central heating boiler  
for the living room and entire apartment  
Performance range: 4,7 to 12 kW

 **windhager**  
HEAT WITH VISION



**Wood pellets**



HOW DO YOU GET MORE HEAT  
OUT OF A FIRE?  
WITH A LITTLE FRESH AIR ...

A breath of fresh air is  
blowing in the heating world:

# One that will also pay off in the future

For more than 90 years, the name Windhager has been inseparably linked with high quality boiler technology "Made in Austria". This is thanks to our wealth of experience which allows us to develop heating solutions which go that crucial extra step further. In the future, one of the challenges will be to make optimum use of available resources. The lower our consumption of these resources, the lower the financial cost and impact on our environment will be.

Windhager is a visionary company that is steeped in tradition yet offers efficient and forward thinking solutions for all fuels and solar technology. So it's hardly surprising that Windhager are continuously looking out for a breath of fresh air for its wood pellet boilers. This explains why more than 40,000 Windhager customers throughout Europe benefit from the efficient and environmentally-friendly heat produced from pellets.

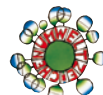




## The Award-winning "Made in Austria" quality

Windhager's innovative solutions make pellet heaters a particularly simple and economic choice for you and have vastly shaped the rapid development of this technology over the last few years. The countless awards bestowed on the company during this time are further evidence of the role it has played:

- 2003: "Success through research" for the PMX pellet boiler
- 2004: Province of Salzburg Innovation Prize for Business for fully automated pellet feed
- 2005: Province of Salzburg Innovation Prize for Business for the BioWIN pellet boiler
- 2006: "Energy Genie" of the Austrian Ministry for the Environment for the FireWIN pellet boiler for the living room
- 2006: Province of Salzburg Innovation Prize for Business for the FireWIN pellet boiler for the living room
- 2008: International "Blue Angel" environmental symbol for the BioWIN and FireWIN pellet boilers
- 2009: Austrian environmental symbol for the BioWIN and FireWIN pellet boilers
- 2010: "Blue Angel" and Austrian environmental symbol awarded to the VarioWIN pellet boiler
- 2010: VarioWIN nominated for state prize for energy and the environmental technology in the research and innovation category
- 2010: "Energy Genie" of the Austrian Ministry for the Environment for the VarioWIN









## Central heating with style

FireWIN from Windhager is a high-quality pellet-fired central heating system operated from the living room. It allows you to spend cosy evenings sitting in front of the fire while also heating hot water and your entire home in a low-cost and user-friendly way. The FireWIN's timeless and attractive design comes in four colour variants, enabling it to fit perfectly into any home. Enjoy the heating technology of the future.

## Perfect for low-energy houses

Since the FireWIN can also be operated with an external supply of combustion air and also only gives off a little radiation heat, it is perfectly suited to use in low-energy houses.



**FireWIN**

### FireWIN – enjoy the heating technology of the future

#### ADDITIONAL COMFORT AND QUALITY OF LIFE

- Fully automatic pellet filling (optional) and automatic heating surface cleaning
- Ash only has to be emptied two to three times a year thanks to the automatic ash compaction feature and large ash pan
- Very quiet – proven to be the quietest living room pellet boiler on the market
- A patented air curtain allows you to watch the flame for long periods

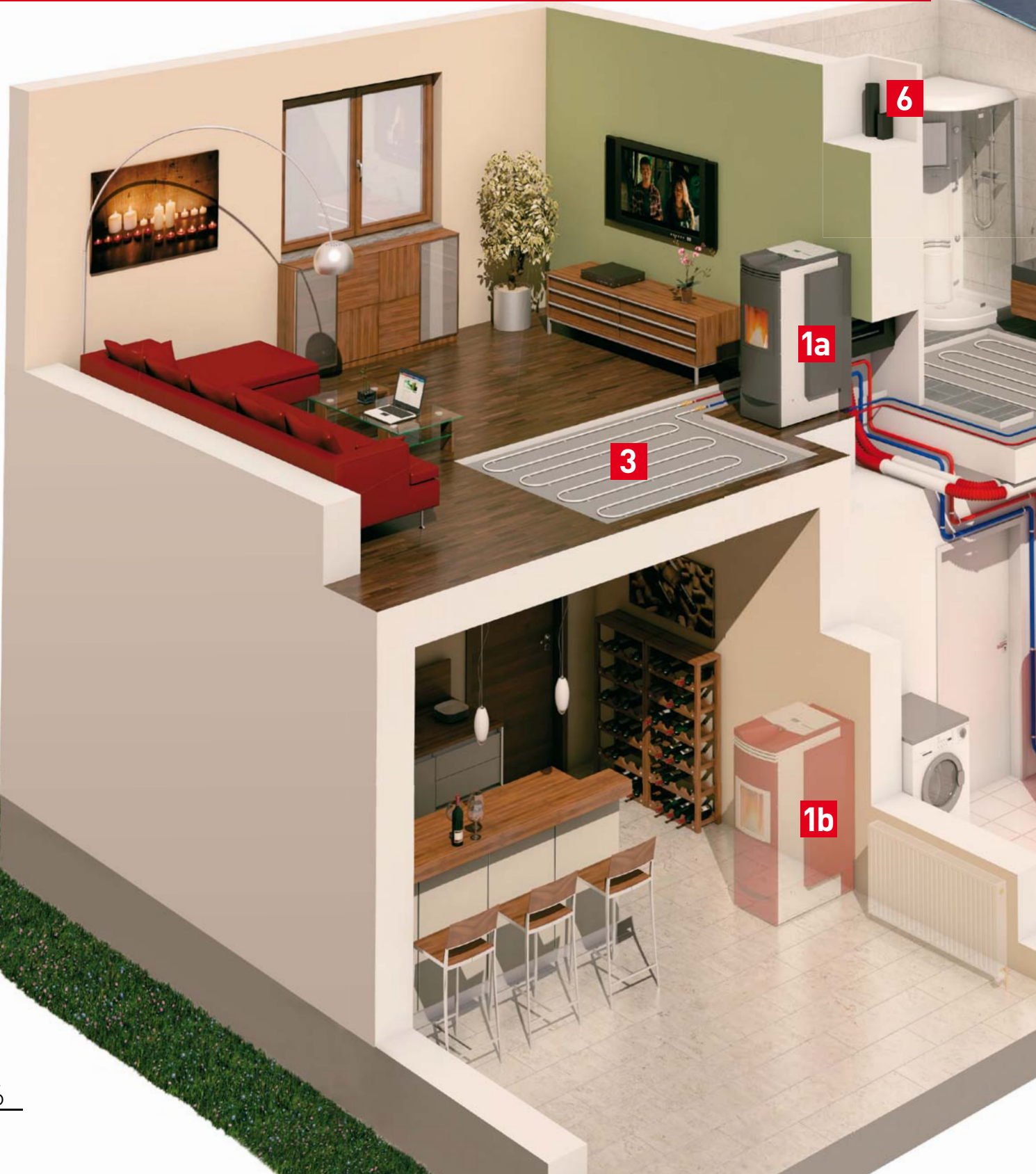
#### ADDITIONAL VALUE FOR MONEY

- Low energy consumption of just 33 W (partial load) or 50 W (full load)
- Economical fuel consumption thanks to modulating adaptation of output to heating requirement – no buffer tank required
- All hydraulic components for 1 heating and boiler circuit can be integrated in the unit – no external distributor required

#### ADDITIONAL PEACE OF MIND

- Permanently stable combustion thanks to external supply of combustion air (accessory)
- Two front doors and double glazed window prevent dangerous surface temperatures
- Multi-award-winning quality boiler „Made in Austria“

# FireWIN – the central heating system for the entire house







**5**

**1a** The „heat centre“ for the whole home  
 The FireWIN fully automatic pellet central heating system provides the entire home with warmth and cosiness. It can be operated in the classic way from the living room (1a), or from any other room (1b).

**1b**

**2** Fully automatic fuel supply  
 Windhager supplies a zero-maintenance suction system with a patent valid throughout Europe to transport the pellets.

**2a** This unique development is also suitable for use with sheet steel tanks, fabric tanks and earth tanks.

**3** Generate heat where and when it's needed  
 The heat is always transported to those areas where it is needed in an efficient manner, be it via underfloor heating and/or radiators.

**4** Want to prepare hot water? No problem!  
 The FireWIN ensures sufficient hot water at all times. As is standard with central heating systems, the customer only needs one hot water boiler.

**5** Solar – the perfect add-on  
 Thanks to Windhager system technology, the FireWIN has the perfect set-up for use in combination with a solar system. All year round, this can satisfy up to 70% of hot water requirements.

**6** External supply of combustion air  
 Windhager's accessories include a practical adapter for a direct supply of fresh air from outdoors. This supplies the FireWIN with sufficient combustion air at all times and ensures permanently stable combustion. We would recommend a flue with its own fresh air shaft for such purposes.



Sheet steel tank      Fabric tank      Earth tank









## Design meets technology

Enjoy the magic of fire and pamper yourself with ground-breaking heating technology. In selecting the FireWIN, you have chosen a modern form of central heating with an extremely stylish design.



1



3



5



7



# Patented solutions for unique comfort

## 1 Pellet supply options

Most pellet-fired central heating boilers used in living rooms can only be filled by hand. But the FireWIN can also be automatically supplied with pellets using a suction system with a patent valid throughout Europe.

### The advantages for you

- No more troublesome manual refills
- Flexible boiler installation height differences of up to 6 m and intake lengths of up to 25 m are possible
- High operational safety thanks to zero-maintenance system with 3 removal points in the storage area

## 2 Hydraulic and safety components that can be integrated such as energy-saving circulation pump, motorised mixing valve, expansion tank and hot water pump almost always replace a heating distributor installed in the building. This saves time and money!

## 3 Ash compactor

A fully automatic ash compactor has been developed for the FireWIN to offer the operator maximum convenience.

### The advantages for you

- Ash only has to be emptied two to three times a year – the only living room pellet boiler in its sector to offer this!
- If combined with automatic heating surface cleaning, long cleaning intervals are possible
- Cleaning intervals & comfort levels similar to large boilers fitted in cellars

## 4 Prepared for an external supply of combustion air.



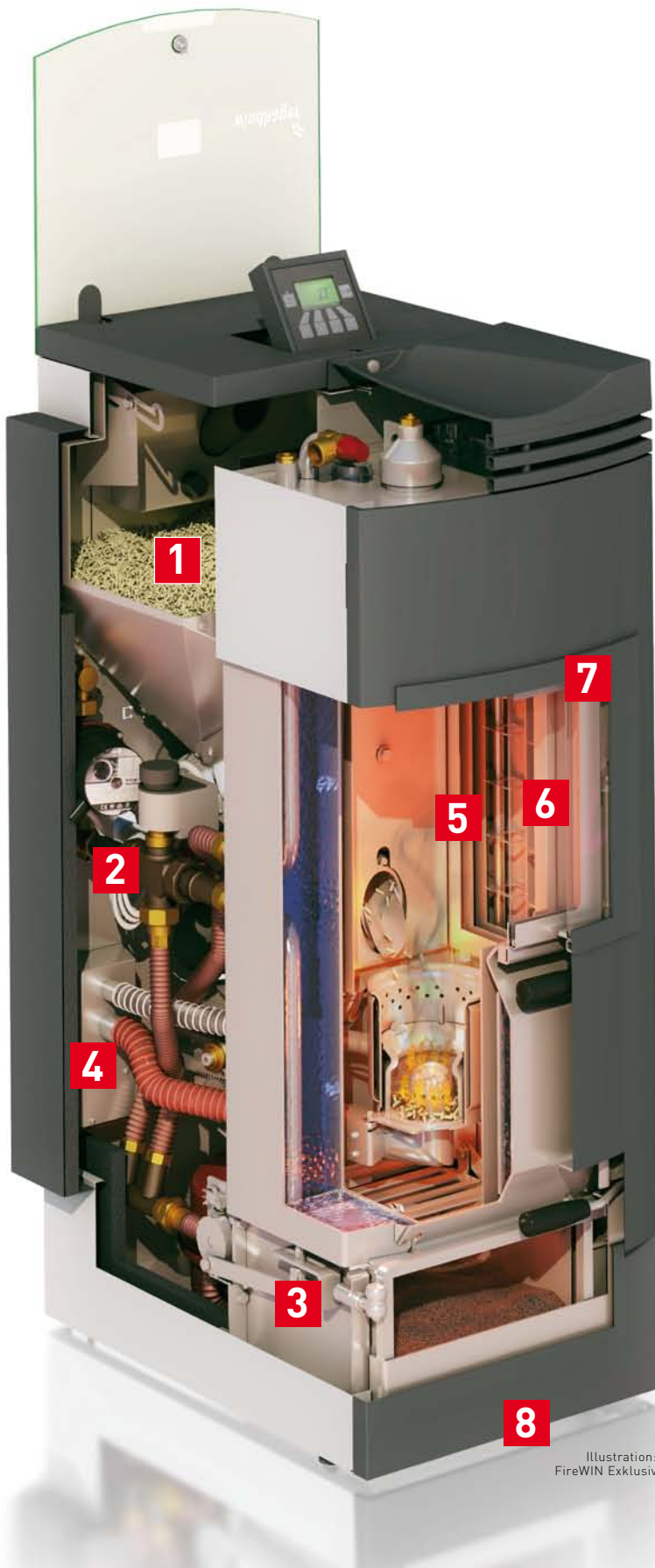


Illustration:  
FireWIN Exklusiv

## 5 Fully automatic cleaning

The FireWIN Exklusiv has ingenious, fully automatic techniques for boiler cleaning which reduce maintenance and cleaning work to a minimum.

### The advantages for you

- Fully automatic burner pot ash removal for a clean burner pot
- Fully automated heating surface cleaning ensures a continuously high degree of efficiency
- Fully automatic ash compression for extending the cleaning intervals
- Fully automatic cleaning instructions via the InfoWIN operating unit!

## 6 Double glazing on the additional front door prevents high surface temperatures and protects against burns.

## 7 Patented air curtain

Owners of boilers for living rooms have exacting cosiness standards. These are satisfied in two ways: firstly through heat being radiated straight into the living room and secondly through the flame being visible for long periods. The latter is ensured by a supply of flushing air to just behind the glass panel.

### The advantages for you

- Clear view of the flame for long periods
- The window hardly ever needs cleaning
- Patented and therefore unique solution for „clear“ view

## 8 Its compact design, requiring floorspace of just 0.37 m<sup>2</sup> and its different colour variants mean it can be integrated anywhere.

# Individual solutions

The varied requirements of a modern central heating system are only matched by the different ways in which you can configure the FireWIN. Two power levels and several comfort levels, control systems and equipment provide a tailor-made heating solution that precisely matches your personal needs.

## Comfort classes

	EXKLUSIV	PREMIUM	KLASSIK
Maintenance interval	2 to 4 months*	2 to 4 weeks*	2 to 4 days*
Heating surface cleaning	fully automated	manual	manual
Ash compression	fully automated	none	none
Pellet loading	fully automated	fully automated	manual

\*The actual maintenance interval depends on the mode of operation and the pellets used. Please refer to the operating instructions for details.

## Suitable for any style of home

Do you prefer purist and modern, or would you rather have a cosy, country-living atmosphere? The FireWIN is available in four different colour compositions to provide solutions for every taste and every type of home.



Basic colour platinum silver/  
decorative colour granite



Basic colour quartz beige/  
decorative colour pearl white

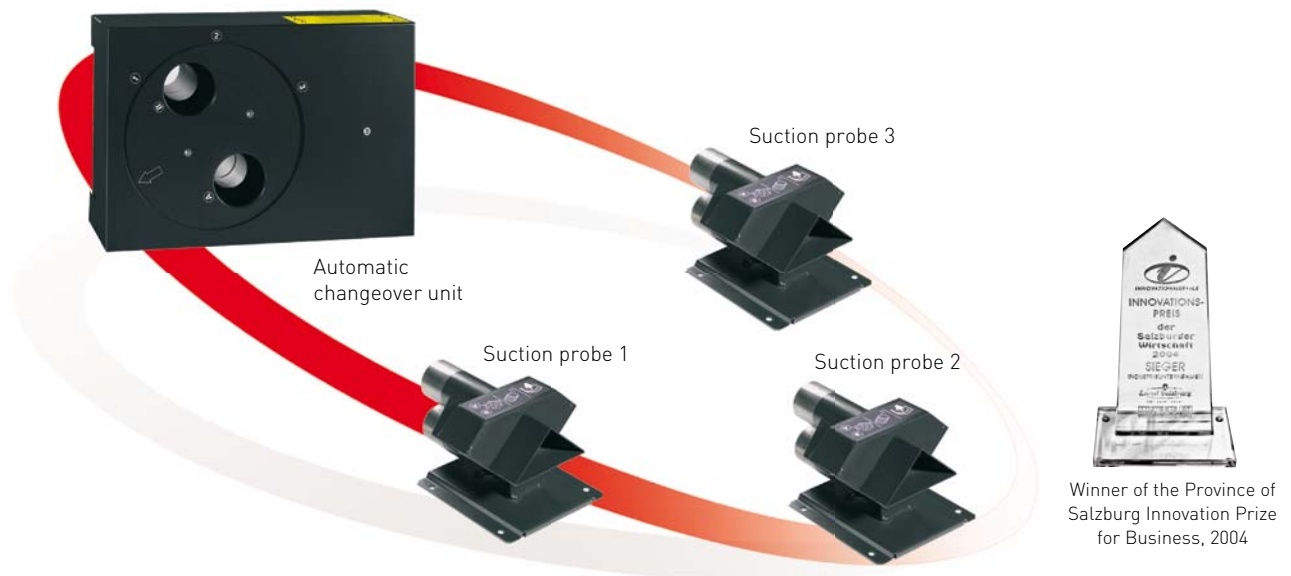


Basic colour platinum silver/  
decorative colour garnet



# The fully automated pellet feed

To provide a follow-up supply of pellets, Windhager offers a fully automated feed system with a patent valid throughout Europe. It carefully transports the pellets in an air vacuum.



## The advantages for you

- **Optimal reliability** due to three separate removal points (suction probes) in the storage room
- **The position of the storage room is independent of that of the boiler room**
- Maintenance-free system
- **No moving parts or electrical cables are required in the storage room**
- **Fully automated function checks**
  - „Purge“: – If no pellets are being sucked in because of blockages, the changeover unit is rotated through 180° and the suction wand is thus “rinsed” – in other words, the feed and the return are swapped.
  - „Changeover“ – If no pellets are delivered even after this cleaning, then switching to the next suction wand takes place and operation continues uninterrupted in any case.

## This unique development is excellently suited to a wide range of storage room conditions



## The FireWIN can be turned into a system solution at any time

For Windhager, systematic thinking is extremely important. All components and individual elements are perfectly tuned to each other, and therefore guarantee excellent efficiency, environmentally friendly operation and the best possible heating comfort – and that's a safe assumption, since only Windhager offers the unique "Function guarantee" on all its systems. Therefore, the FireWIN has numerous combination options for operating in tandem with other heat sources and consumers.



## Everything under control

### MES<sup>PLUS</sup> Modular Energy System

MES<sup>PLUS</sup> takes over the entire heat management of the heating system. It controls and optimises heat production and distribution matched precisely to requirements. Its modular design ensures the heating system can be expanded at any time.

### REG standard control unit

The REG standard control units offer a high level of control and operating convenience for one heating and one hot water tank circuit. The heating circuit cannot later be extended, and no further combinations are possible.



**MES<sup>PLUS</sup>**  
User Controller



**MES<sup>PLUS</sup>**  
Temperature Controller

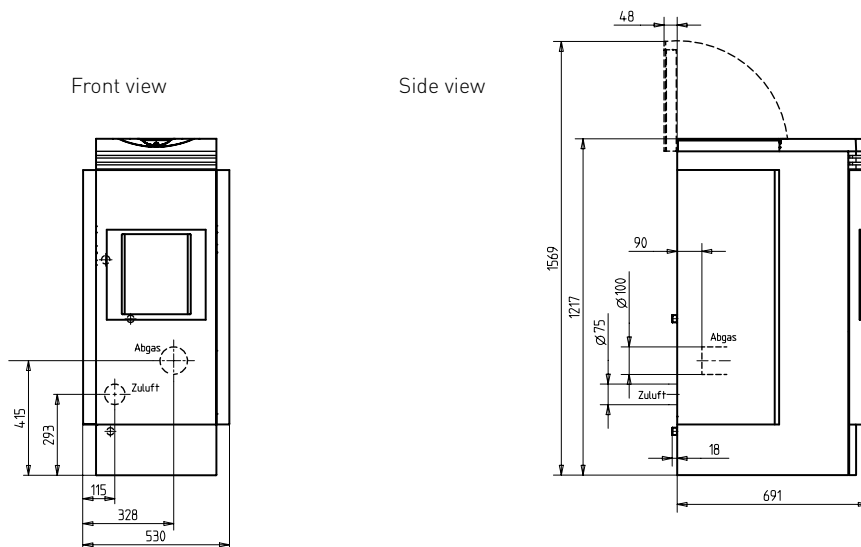


**Digital REG**  
User module

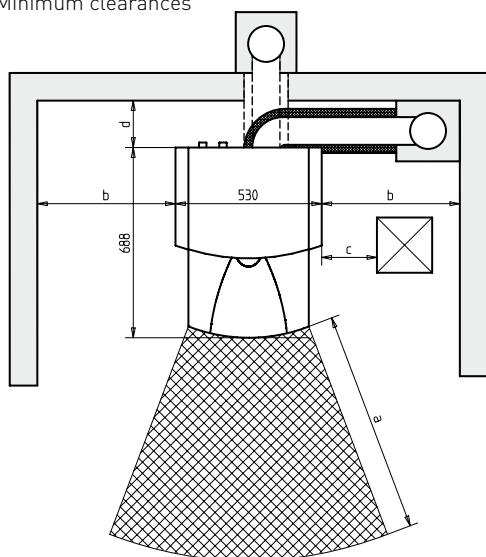


# Warmth when you need it

## FireWIN



Minimum clearances



Dimension	Clearance	Description
a	800 mm	Minimum clearance in radiation area (front window) from flammable materials
b	500 mm	Minimum lateral clearance from non-movable objects (e.g. wall)
c	50 mm	Minimum lateral clearance from movable objects (e.g. furniture)
d	140 - 500 mm	Minimum distance dependent on the mounting situation. Please refer to the planning document for details.

All measurements in mm

## Technical data

Type	FireWIN 90	FireWIN 120
Fuel	Pellets acc. to ÖNORM M7135 or DINplus	
Nominal thermal output	kW 9	12
Thermal output for water	kW 4,7 - 7,8	4,7 - 10,6
Thermal output for room heating	kW 0,6 - 1,3	0,6 - 1,4
Thermal output for room heating with heat shield	kW 0,3 - 0,8	0,3 - 1,1
Total efficiency	% 94,5	94,1
Pellet reserve supply container	kg	~ 37
Dimensions W x D x H	mm	530 x 691 x 1.217
Net weight	kg	218
Flue gas connection diameter	mm	100

**Austria**

Windhager Zentralheizung GmbH  
Anton-Windhager-Straße 20  
A-5201 Seekirchen bei Salzburg  
T. +43 (0) 62 12/23 41-0  
F. +43 (0) 62 12/42 28  
info@at.windhager.com

Windhager Zentralheizung GmbH  
Carlberggasse 39  
A-1230 Wien

Windhager Zentralheizung GmbH  
Tiroler Straße 25  
A-6424 Silz

**Germany**

Windhager Zentralheizung GmbH  
Deutzring 2  
D-86405 Meitingen bei Augsburg  
T. +49 (0) 82 71/80 56-0  
F. +49 (0) 82 71/80 56-30  
info@de.windhager.com

Windhager Zentralheizung GmbH  
Heinrich-Rudolf-Hertz-Straße 2  
D-04509 Delitzsch bei Leipzig

Windhager Zentralheizung GmbH  
Gewerbepark 18  
D-49143 Bissendorf

**Switzerland**

Windhager Zentralheizung Schweiz AG  
Industriestrasse 13  
CH-6203 Sempach-Station bei Luzern  
T. +41 (0) 41/469 469-0  
F. +41 (0) 41/469 469-9  
info@ch.windhager.com

Windhager Zentralheizung Schweiz AG  
Rue des Champs Lovats 23  
CH-1400 Yverdon-les-Bains

Windhager Zentralheizung Schweiz AG  
Dorfplatz 2  
CH-3114 Wichtrach

**France**

Windhager Chauffage Central  
France S.A.S.  
1, rue du Maire Georges Baruch  
Z.A.C. Nord du Rosenmeer  
F-67560 Rosheim  
T. +33 (0)3 88 81 82 17  
F. +33 (0)3 88 95 81 85  
info@fr.windhager.com

**Italy**

Windhager Italia S.R.L.  
Via Ungheresca sud  
I-31010 Mareno di Piave (TV)  
T. +39/04 38/49 91 43  
F. +39/04 38/49 78 84  
info@windhager.it

**United Kingdom**

Windhager UK Ltd  
Tormarton Road  
Marshfield  
South Gloucestershire, SN14 8SR  
T. +44/12 25/89 22 11  
info@windhager.co.uk

Your expert PARTNER

**windhager**  
HEAT WITH VISION