

Since 1986



The Ultimate Crushing Solution

LH/SH SERIES GYRATORY HYDRAULIC CONE CRUSHERS



SALIENT FEATURES

- Optional Steel Skid with Discharge Conveyor For Quick Installation
NO RCC foundation required
- Optional mobile attachment for quick inter site movement
- High crushing capacities
- Auto Lubrication
- Tramp release accumulator
- Uniformity in output product
- Heavy duty cast steel shell
- Compact hydro-lube power pack with inbuilt safety features
- Electronically synchronized hydraulic & lubrication system
- Well equipped electrical panel

LH Series capacity ranging from 80 to 500 TPH

SH Series capacity ranging from 40 to 350 TPH

SMAN BRAND LH /SH SERIES gyratory hydraulic cone crushers are the ultimate solutions for secondary & tertiary stage crushing to achieve uniform product size of hard rocks, ores and minerals.

SMAN Cone Crushers are designed as per the most advance crushing techniques. The outer shells and other body components are made out of the finest quality steel castings and its robust design helps withstand high crushing loads. The main shaft and eccentric system is made out high grade forged alloy steel and a precise machining process helps in achieving an accurate Gyro Crushing action resulting in excellence cubical shape output & maintenance free operation.

All bearing bushes are designed on the basis of a very well engineered metallurgic composition minimizing frictional losses. The Concave and Mantle are cast out of high grade manganese steel and under go fine machine process to fit the required parameters in order to achieve minimum wear and eliminate maintenance time. All Hydraulic and rotary functions are synchronized and controlled by the Hydraulic and Electrical control panels. A very compact Hydraulic Power Pack controls all the Hydraulic and Lubrication systems.

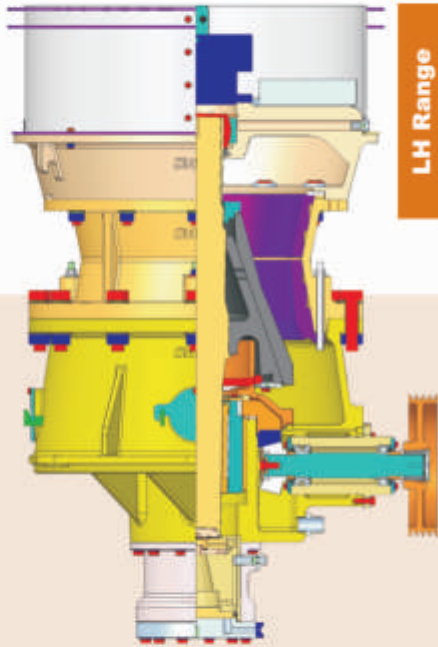
The optional heavy duty steel fabricated skid is fitted with a suitable discharge conveyor & Electrical motor drive system making it very convenient to install the whole crushing station in a vary short time eliminating the need to build any concrete foundation. For intersite movement mobile type skid with a foldable discharge conveyor is also available as an further option.

SMAN Cone Crushers are supplied inclusive of Base Frame, Hydro-Lube Power Pack, Auto Lubrication, Electrical Control Panel with Motor and starter for instant installation.

TECHNICAL DATA OF LH SERIES CONE CRUSHERS

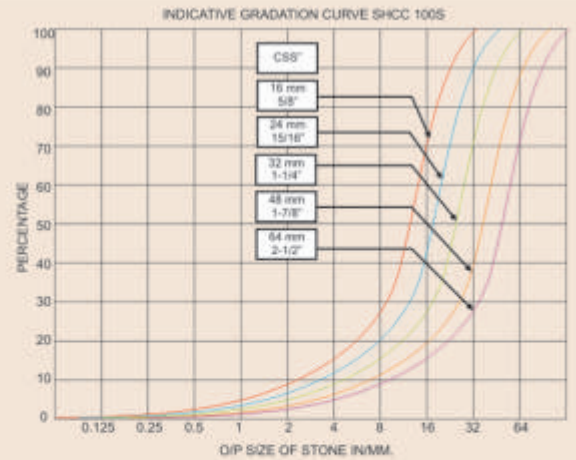
CRUSHING CAPACITY OF LH CONE CRUSHER

LH Series



LH Range	Model	Feed Size	Power (Kw)	Capacity t/h								Strokes Available mm
				Setting (CSS)	20 mm	25mm	30 mm	35 mm	40 mm	45 mm	50 mm	
	LH 100	150 mm	90-132 Kw	-	80-90	105-115	120-130	135-145	145-165	155-175		16,20,25
	LH 200	200 mm	132-180 Kw	-	-	110-140	140-170	160-190	180-210	200-230	230-260	18,25,32
	LH 300	250 mm	160-200 Kw	-	-	170-190	170-210	190-230	210-255	235-275	255-295	18,25,32,40

Capacities and minimum setting figures are indicative for materials with bulk density of 1.6t/m³. Actual results may vary depending on feed grading, rock type, moisture etc..

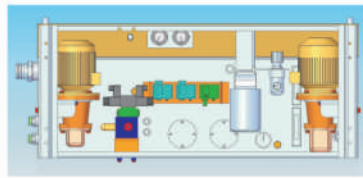


ELECTRICAL CONTROL PANEL



Well equipped Electric Control Panel with starter, safety features & close stroke setting.

HYDRO-LUBE POWER PACK



Hydraulic and lubricating power pack with suitable electric motors, hydraulic pumps, filters and gauges designed for trouble free operations.

AIR BLAST OIL COOLER



High capacity air blast oil cooler for optimum hydraulic efficiency even at high temperatures

TRAMP RELEASE ACCUMULATOR



Gas charged tramp release accumulator for better safety

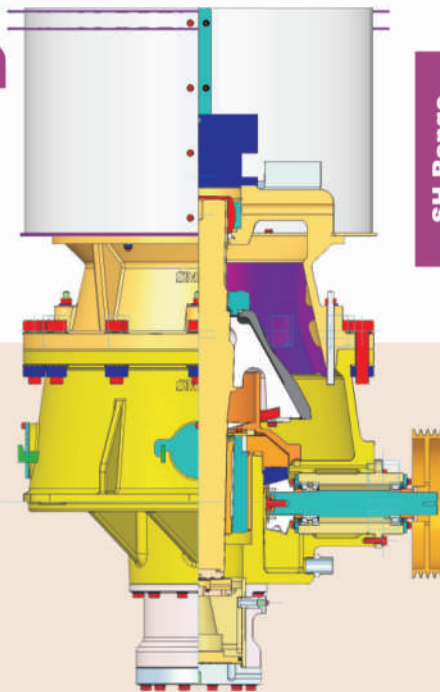
LUBRICATION UNIT



Automatic Lubrication System with timer

TECHNICAL DATA OF SH SERIES CONE CRUSHERS

SH Series

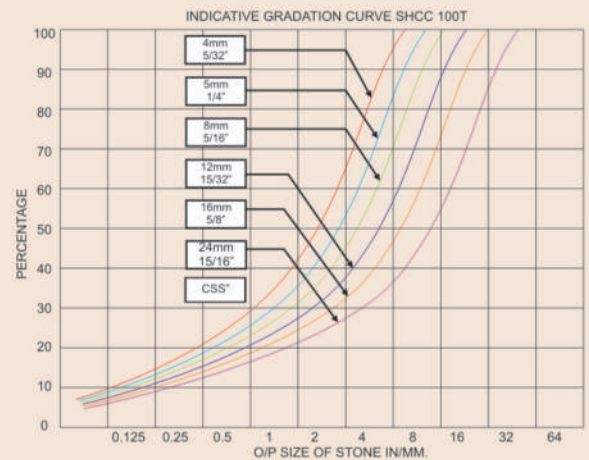


Capacities and minimum setting figures are indicative for materials with bulk density of 1.6t/m³.

Actual results may vary depending on feed grading, rock type, moisture etc..

CRUSHING CAPACITY OF SH CONE CRUSHER

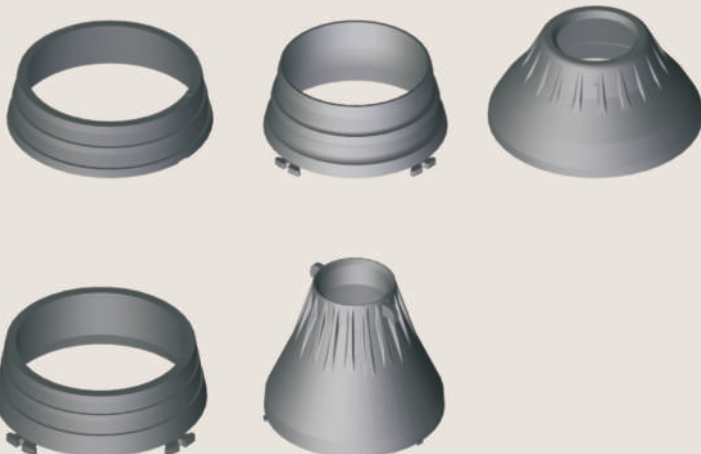
SH Range	Model	Feed Size	Power	Setting (CSS)	Capacity t/h						Strokes Available mm	
					8 mm	10mm	15 mm	20 mm	25 mm	30 mm		35 mm
	SH 100	150 mm	90-132 Kw	-	40-50	45-55	60-70	75-85	85-95	-	-	16,20,25
	SH 200	200 mm	132-160 Kw	-	60-70	70-90	80-105	100-125	135-150	160-175	175-190	18,25,32
	SH 300	250 mm	160-200 Kw	-	-	115-135	140-160	160-180	180-200	215-240	245-265	25,32,40



CONSUMABLE & SPARE

The general consumables such as mantle & concave are cast out of high grade manganese steel & a very sophisticated quality control system ensures that the chemical & metallurgic compositions match the exact specifications & norms required to achieve maximum wear resistance against the toughest material to be crushed.

It is always recommended to use genuine **SMAN** consumable & spares to achieve the highest output with minimum maintenance the company maintains the stock for all the required consumables & spares at all times making it very convenient to ship them at the crushing site in the minimum possible time.



Complete Crushing & Screening Solutions Upto Third Stage



COMPANY PROFILE

Shakti Mining Equipments Private Limited is a company engaged in manufacturing of mining and construction equipments in India. Today **SMAN** is a very much reputed brand in the construction & mining field **Since 1986**. SMAN brand products are giving outstanding performance at the site, with increased productivity and lowest operating cost. The company offers personal attention to each and every client right from understanding his needs and provides the correct products resulting in optimum performance and the most economical solutions along with the very modern technology. The company strives to maintain the balance between advanced technology and cost effectiveness of the products. Its associates are more productive, effective and competent than their peers at other companies. It believes in the saying '**Satisfied associates are better associates**'.

QUALITY CONTROL

To achieve high standard and quality of product, a very reliable quality control system has been adopted by the company. All the raw materials are procured as per International standard of quality. During various production process such as machining, assembling, finishing etc., each and every part of the product is keenly and thoroughly inspected and checked by Quality Control Department. A special team of technically qualified engineers has been appointed from quality control dept in order to ensure and achieve best quality. As per the policy of the company, continuous research and development are carried out and new quality control techniques are adopted. The company has modern scientific quality control measuring equipments to check quality of its products, so as to ensure that the best quality and trouble free products are delivered to buyers.

OTHER QUALITY PRODUCTS MANUFACTURED BY SHAKTI MINING EQUIPMENTS PVT. LTD.

**TRACK MOUNTED
MOBILE SCREENING
PLANTS**



**VERTICAL SHAFT
IMPACTOR**



**CONE CRUSHER
MOUNTED ON BASE FRAME**



HEAD OFFICE & PLANT - I :

SHAKTI MINING EQUIPMENTS PVT. LTD.
W-140 to 143 (A), M.I.D.C. Industrial Area, Ambad,
Nasik - 422 010, Maharashtra, India.

PH: +91-253-2381041, 2382755 Fax : +91-253-2381040

E-mail: sales@shaktimining.com Website: www.shaktimining.com

PLANT - II :

D- 128 / 129, M.I.D.C. Sinnar, Malegaon, Sinnar,
Dist. Nasik - 422 113 Maharashtra, India.

Dealer :