

About
pages 2-3

Rental
pages 4-5

Training
page 6

Sales
page 9

Sites
pages 10-11

Specs
pages 12-23

Rates
pages 26-27

Contact
back page

new
20m truck
mounts now
available
pages 20-21

new
Birmingham
site opens
Dec 1st
page 11



smart ▶▶▶ access you control

About

Platform featured: new Z20HD
Location: Minworth Trade Park, Birmingham



Our Values

Smart Platform Rental Ltd is the pioneering force behind self-drive vehicle mounted powered access hire in the UK since its inception in 2002. Cost effectiveness, convenience, transparency and a high quality service have been the core values that have led Smart to provide a real alternative to traditional access.

- ▶ Cost effectiveness: market beating prices for all of our products
- ▶ Convenience: access available to all on a standard driving licence
- ▶ Transparency: a pricing structure that is published and is easily understood
- ▶ Quality: unparalleled customer experience recognised by our certification, to the left

With our recent Trafford Park site opening and our imminent Midlands relocation we have invested in a network of three modern branches that covers a large proportion of the country. We see these sites as an essential commitment to providing a positive and convenient experience for those clients who visit our sites to use our services.

Staff knowledge is a key component to the service we offer. Much of our customer base relies on our experience gained from serving many niche sectors to assist in specifying the best access solution for each individual project.

We also pride ourselves on continually replenishing our fleet. In the past 12 months we have invested over £1,000,000 in new platform purchases so that the average platform age is between two and a half to three years old. With such an up to date fleet our clients benefit from all the productivity and safety features that modern vehicle mounts can offer.



self drive
rental still
from £99
per day

Rental

Platform featured: Z19

Location: Lowry Centre, Manchester



Our machines have great mobility. Unlike traditional scaffolding and self propelled equipment you can use our vehicle mounts for multiple site visits on the same hire. This spreads the hire costs over several jobs making for more effective working solutions.

Self Drive Access Hire

We have the largest self drive truck mount platform fleet in the country. Working heights range from 10 to 26 metres. More contractors are seeing a positive impact on their margins by choosing the self drive option.

- ▶ We offer low hire rates
- ▶ No down time waiting on site for platform delivery
- ▶ You control when to collect and return
- ▶ Standard driving licence for the majority of our trucks
- ▶ Free full familiarisation at the start of each hire
- ▶ Competitively priced Collision Damage Waiver

The move to self drive is the quick, simple and economic choice for your business.

Weekend and AM/PM Service

Overnight and weekend working is favoured by many of our customers for sector specific needs and getting the most from their hire. To accommodate this growing need we provide weekend packages and reduced PM Collect or AM Return tariffs.

Delivery

If you prefer we also offer a delivery service to your office or site.

Operated Hire

Smart also provide fully qualified and experienced operators as an alternative to self drive.

Training

NEW!!
Ladder
courses
available



Safety is paramount to us and we strongly recommend obtaining full IPAF operator certification. We regularly run one day courses from all of our sites and offer courses in the following:

- ▶ Category 1b: Static Boom: Vehicle & Trailer mounted Booms
- ▶ Category 3b: Mobile Boom: Self Propelled Booms
- ▶ Category 3a: Mobile Vertical: Scissor Lifts

Any combination of these categories can be undertaken in a one day course and provides you with a 5 year internationally recognised accreditation. If you use mobile scaffold towers we also offer PASMA certified courses. Other courses include:

- ▶ Tower Training Course
- ▶ Low Level Course (eg podiums)
- ▶ Combined Course (low level & tower)
- ▶ **NEW** Harness Usage Course
- ▶ MEWPs for Managers Course
- ▶ Work at Height Essentials Course
- ▶ **NEW** Ladder Training Course

For more information see page 25



Accessories

Highly trained staff using our well maintained and robust platforms are key elements for safe and efficient work at height. Another vital component is the accessories that you use.

We offer and recommend fall restraint harnesses and lanyards custom made for specific truck mount usage. These can be purchased to cover your staff's PPE requirements when working at height.

A standard version of the harness and lanyard set is available. We also have a range of harnesses that come with integral hi-visibility vests and fast snap fittings providing greater convenience.

Another item worth considering is the hand-held anemometer which measures wind speed. Our booms are designed to operate in winds up to 12.5 metres per second (28mph) and an anemometer can offer far greater precision in predicting wind speeds for safe working.

Safety accessories we currently offer include:

- ▶ Standard Harness (for people weighing up to 100kg)
- ▶ Integrated harness (hi-vis vest + quick locks, up to 100kg)
- ▶ Atlas integrated harness (for people weighing up to 140kg)
- ▶ Wind speed meter (anemometer)

For a full list of other available equipment and prices please visit our website.



Long Term Hire



For longer hires (over 3 months) you may wish to consider extended term schemes.

A number of customers have chosen this option which can include discounted rates, predictable in-life costs, replacement machines during routine maintenance and obligatory inspections, personalised livery and free training.



Sales



If you feel that you're committed to using truck mounts and are interested in outright purchase then we can offer a large range of ex-fleet vehicles ranging in platform height, age and price.

Our trucks can be offered with the following:

- ▶ Sold in a fully undecaled state
- ▶ Full 12 months MOT
- ▶ 6 monthly Loler certification
- ▶ Full service history
- ▶ 1000 miles or 1 month warranty (whichever occurs sooner)

For more information and a fully up to date stocklist please visit our website.

Sites



All our locations are strategically located on the national motorway network for maximum convenience when picking up our trucks or attending our courses. Our facilities are contemporary and offer a welcoming environment that many of our clients have complimented us on.

Our new Birmingham location builds on this with a 9000 square foot facility with state of the art hire and training offices. The site itself is conveniently located near the Aston Expressway for the centre of Birmingham as well as being close to the M6, M42 and M6 Toll routes for rapid access to the East as well as the West Midlands.



North West
 Located Junction M60, M602
 smart Manchester Orbital Depot
 Textilose Road
 off Westinghouse Road
 Trafford Park
 Manchester
 M17 1PH



Midlands
 Located Junction M6, M42
 smart Midlands Expressway Depot
 G5-G6 Minworth Trade Park
 Forge Lane, Minworth
 Sutton Coldfield
 West Midlands
 B76 1DH
New Depot
new Birmingham site opens Dec 1st



South East
 Located Junction M1, M25
 smart London Orbital Depot
 14 McDonald Business Park
 McDonald Way
 off Maylands Avenue
 Hemel Hempstead
 Hertfordshire
 HP2 7EB

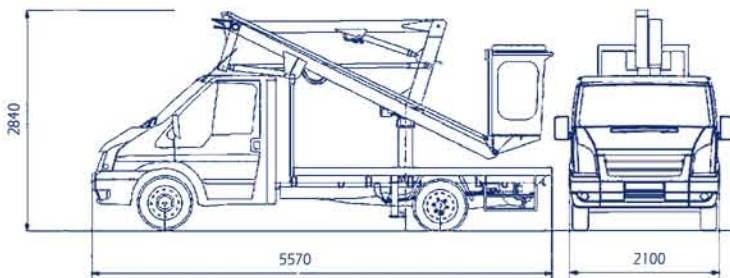
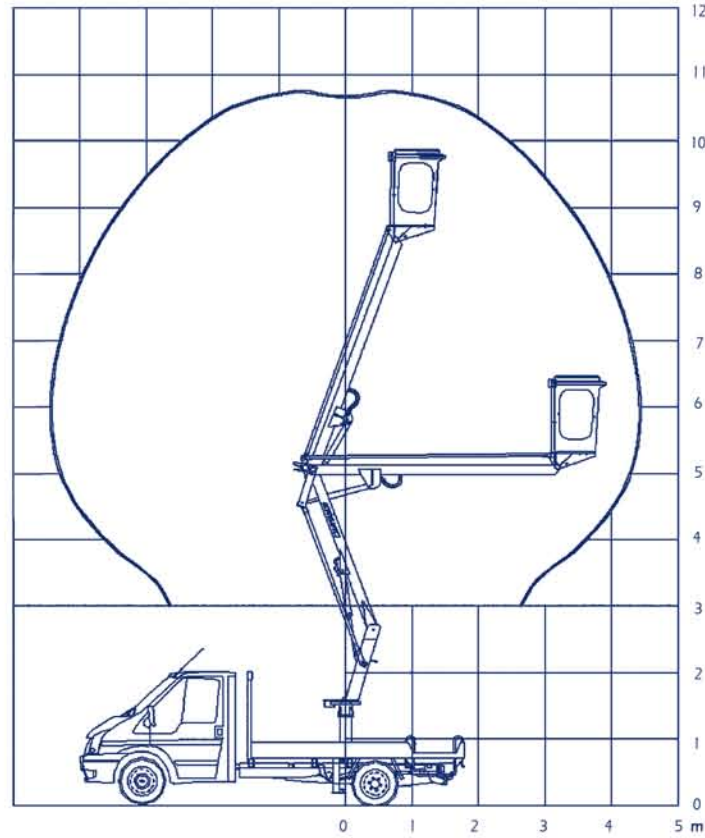
Contact for all depots

Tel: 0871 871 9292
 Fax: 0871 871 9393

Opening times for all depots

Open: Monday -Friday
 7.30am - 5.30pm

Z10



technical specification ▶▶▶

boom specifications

- ▶ working height 10.8m (35ft)
- ▶ outreach limit 4.4m (14ft)
- ▶ load capacity 200kg (440lbs)
- ▶ working width 2.20m (7ft 3")
- ▶ 360 degree boom rotation

vehicle chassis

- ▶ Ford 2.4litre Transit
- ▶ 2600kg GVW
- ▶ Tool storage capacity

travel dimensions

- ▶ stowed height 2.90m (9ft 7")
- ▶ stowed width 2.20m (7ft 3")
- ▶ stowed length 6.60m (21ft 10")



All specs serve as a guideline only and are correct at time of going to print. Smart reserves the right to change the specification without any prior notice

V12

technical specification ▶▶▶

boom specifications

- ▶ working height 12.5m (41ft)
- ▶ outreach limit 7.7m (25ft)
- ▶ load capacity 230kg (507lbs)
- ▶ working width 2.80m (9ft 3")
- ▶ 360 degree boom rotation

vehicle chassis

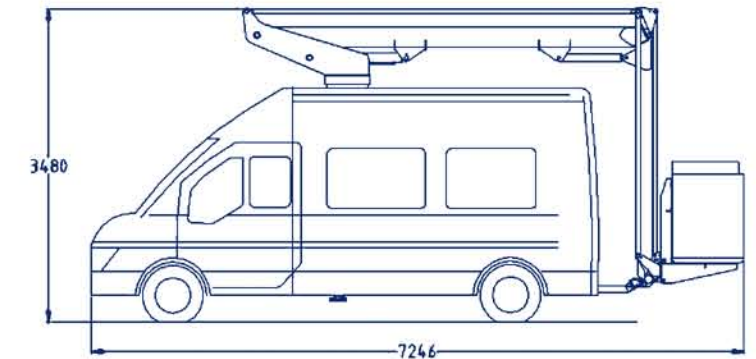
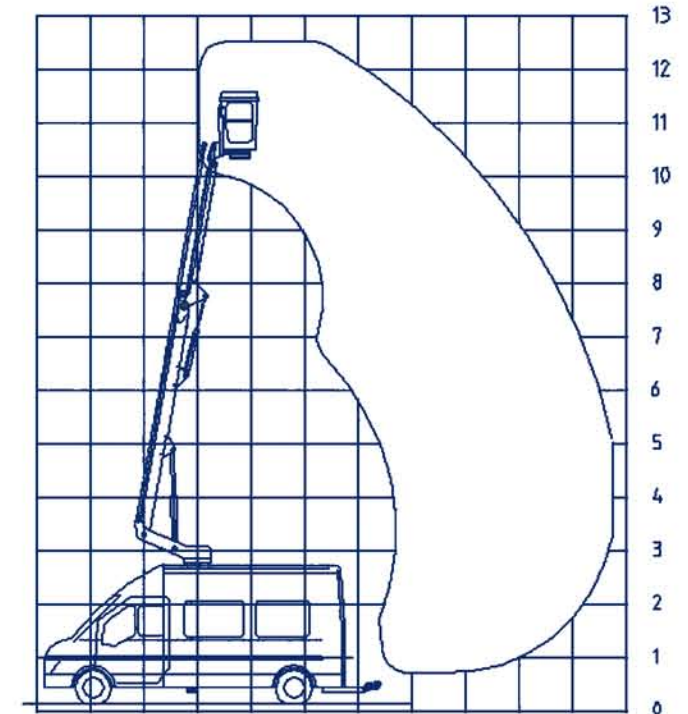
- ▶ Ford Transit T350
- ▶ 3500kg GVW
- ▶ 300kg storage capacity

travel dimensions

- ▶ stowed height 3.48m (11ft 5")
- ▶ stowed width 2.20m (7ft 3")
- ▶ stowed length 7.26m (23ft 10")



All specs serve as a guideline only and are correct at time of going to print. Smart reserves the right to change the specification without any prior notice



RT13

technical specification ▶▶▶

boom specifications

- ▶ working height 13.5m (44ft)
- ▶ outreach limit 6.2m (20ft)
- ▶ load capacity 225kg (496lbs)
- ▶ working width 2.42m (7ft 11")
- ▶ 720 degree continuous boom rotation

vehicle chassis

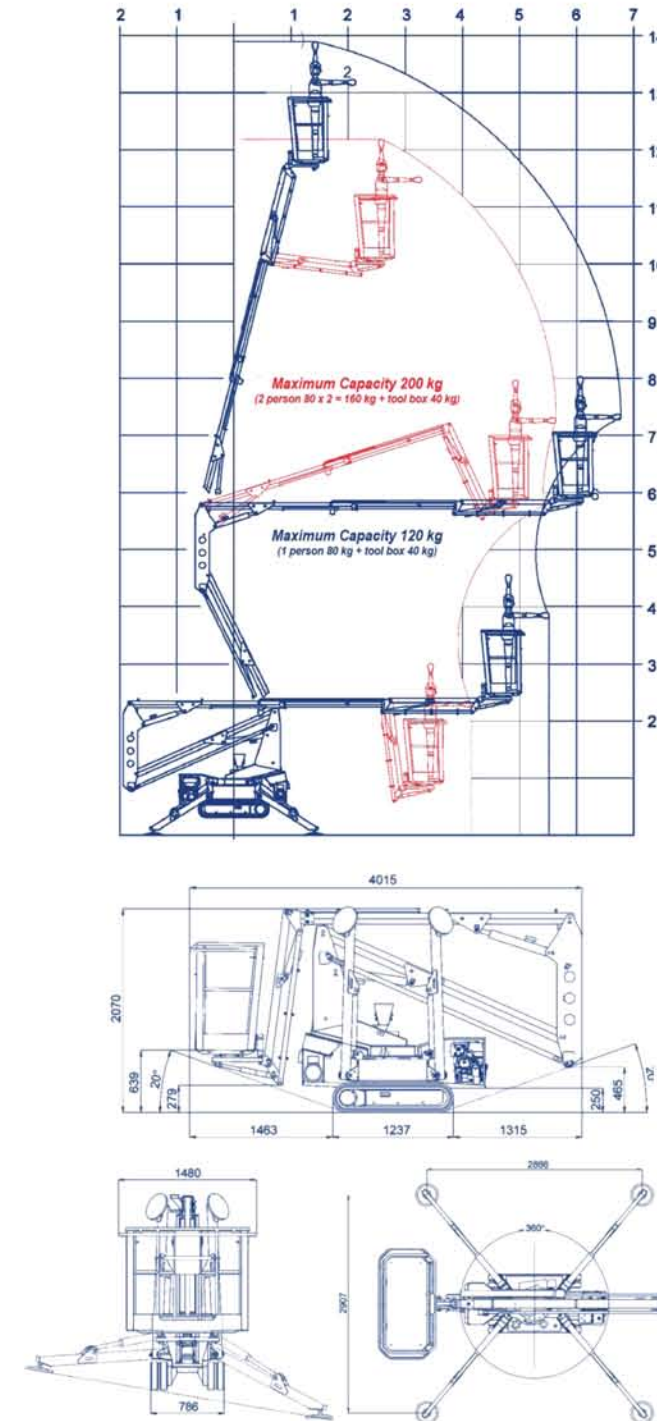
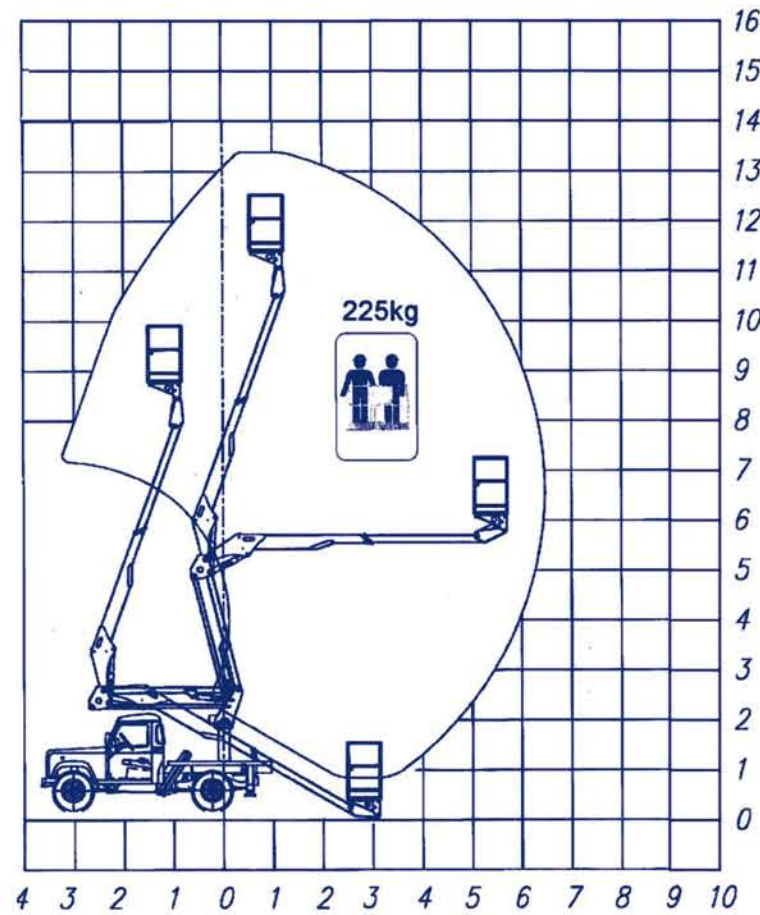
- ▶ Land Rover 110 Defender 2.4 litre diesel
- ▶ 3100kg GVW

travel dimensions

- ▶ stowed height 2.60m (8ft 6")
- ▶ stowed width 1.98m (6ft 5")
- ▶ stowed length 4.99m (16ft 4")



All specs serve as a guideline only and are correct at time of going to print. Smart reserves the right to change the specification without any prior notice



NT14

technical specification ▶▶▶

boom specifications

- ▶ working height with 120kg (1 person) 13.9m (45ft 6")
with 200kg (2 persons) 12.3m (40ft 4")
- ▶ outreach limit with 120kg (1 person) 6.7m (21ft 11")
with 200kg (2 persons) 5.4m (17ft 8")
- ▶ load capacity 120- 200kg (264-440lbs) (1-2 persons)
- ▶ 360 degree boom rotation
- ▶ Hatz diesel power unit
- ▶ stowed height 2.07m (6ft 9")
- ▶ stowed length 4.02m (13ft 2")
- ▶ stowed width 1.48m (4ft 10") (with basket)
0.84m (2ft 9") (basket removed)

vehicle chassis

- ▶ Citroen Relay 2.2 litre diesel
- ▶ vehicle height 2.20m (7ft 3")
- ▶ vehicle width 2.30m (7ft 7")
- ▶ vehicle length 6.60m (21ft 10")
- ▶ travelling height with platform 2.70m (8ft 11")
- ▶ 3500kg GVW



All specs serve as a guideline only and are correct at time of going to print. Smart reserves the right to change the specification without any prior notice

Z14

technical specification ▶▶▶

boom specifications

- ▶ working height 13.5m (44ft)
- ▶ outreach limit 7.0m (23ft)
- ▶ load capacity 200kg (440lbs)
- ▶ 360 degree boom rotation
- ▶ 45 degree cage rotate

vehicle chassis

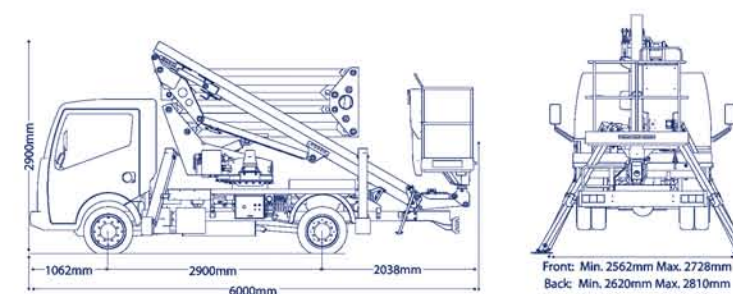
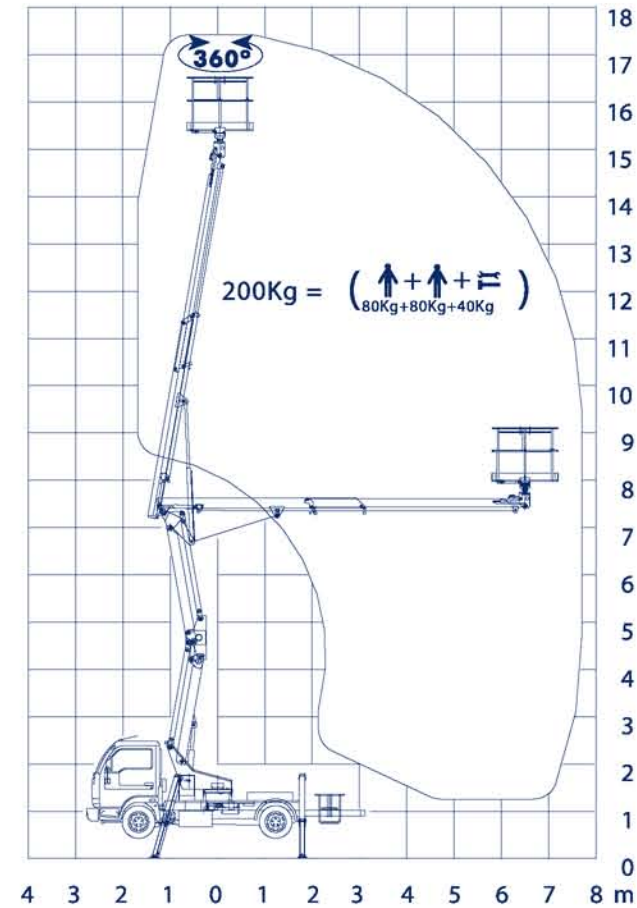
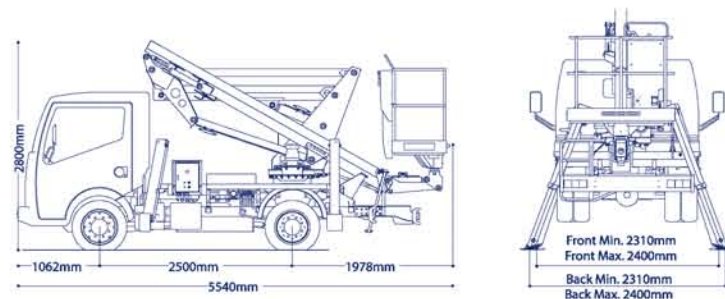
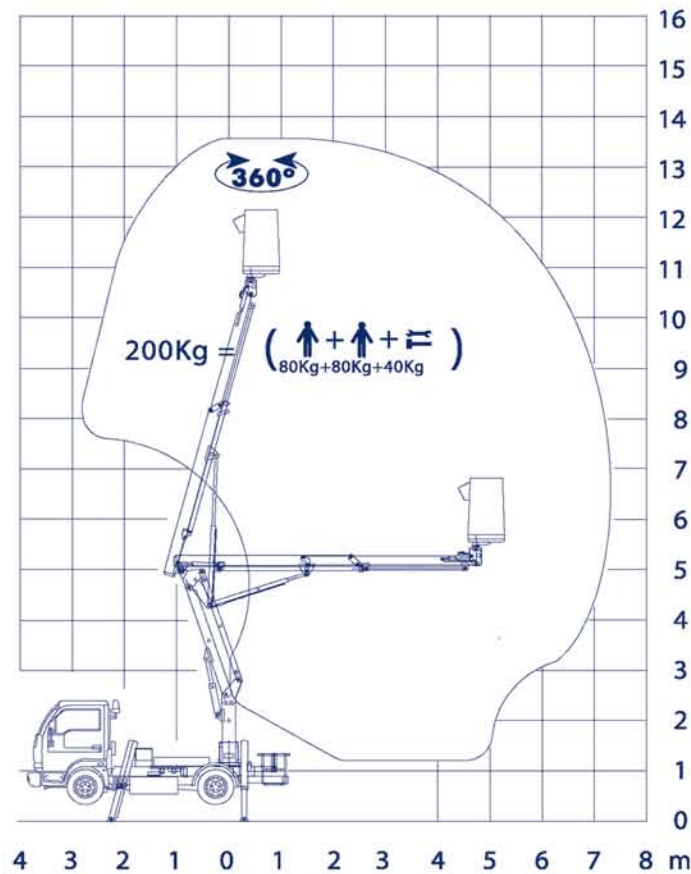
- ▶ Nissan 120hp Cabstar
- ▶ 3500kg GVW
- ▶ Tool storage capacity

travel dimensions

- ▶ stowed height 2.80m (9ft 3")
- ▶ stowed width 2.20m (7ft 3")
- ▶ stowed length 5.54m (16ft 7")



All specs serve as a guideline only and are correct at time of going to print. Smart reserves the right to change the specification without any prior notice



Z17

technical specification ▶▶▶

boom specifications

- ▶ working height 17.2m (56ft)
- ▶ outreach limit 8.0m (25ft)
- ▶ load capacity 200kg (440lbs)
- ▶ 360 degree boom rotation
- ▶ 75 degree cage rotate

vehicle chassis

- ▶ Nissan 120hp Cabstar
- ▶ 3500kg GVW

travel dimensions

- ▶ stowed height 2.90m (9ft 7")
- ▶ stowed width 2.20m (7ft 3")
- ▶ stowed length 6.00m (19ft 7")



All specs serve as a guideline only and are correct at time of going to print. Smart reserves the right to change the specification without any prior notice

Z19

technical specification ▶▶▶

boom specifications

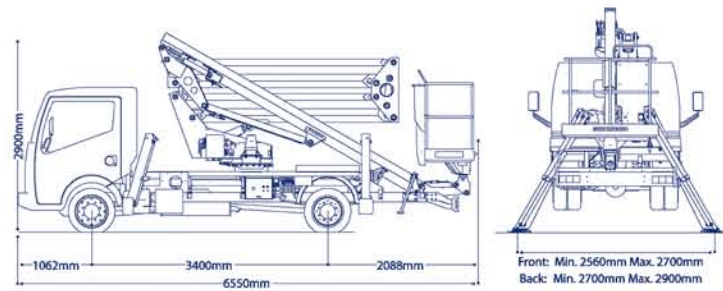
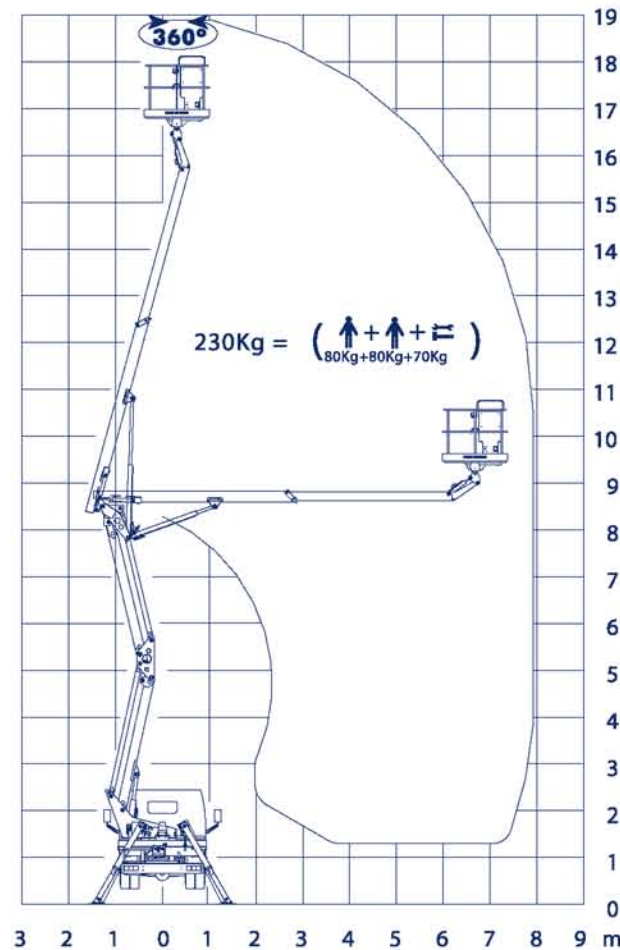
- ▶ working height 19.0m (62ft)
- ▶ outreach limit 8.0m (26ft)
- ▶ load capacity 230kg (507lbs)
- ▶ 360 degree boom rotation
- ▶ 75 degree cage rotate

vehicle chassis

- ▶ Nissan 120hp Cabstar
- ▶ 3500kg GVW

travel dimensions

- ▶ stowed height 2.90m (9ft 7")
- ▶ stowed width 2.20m (7ft 3")
- ▶ stowed length 6.55m (21ft 6")



All specs serve as a guideline only and are correct at time of going to print. Smart reserves the right to change the specification without any prior notice

Z20

technical specification ▶▶▶

boom specifications

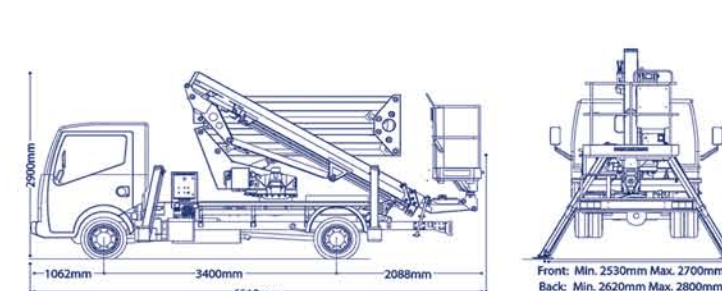
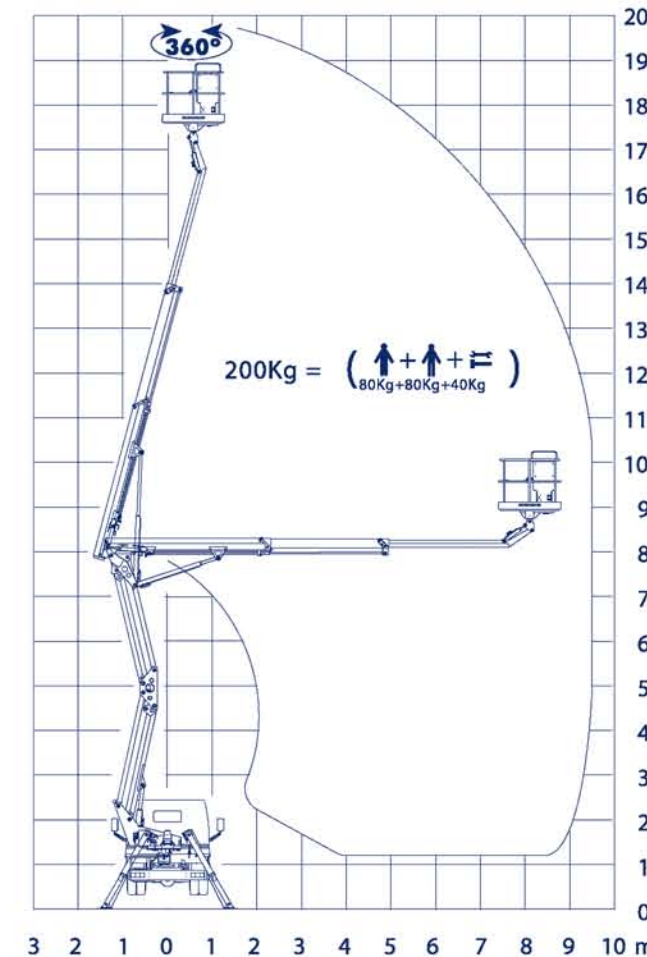
- ▶ working height 20.0m (65ft)
- ▶ outreach limit 9.5m (31ft)
- ▶ load capacity 200kg (440lbs)
- ▶ 360 degree boom rotation
- ▶ 75 degree cage rotate

vehicle chassis

- ▶ Nissan 120hp Cabstar
- ▶ 3500kg GVW

travel dimensions

- ▶ stowed height 2.90m (9ft 7")
- ▶ stowed width 2.20m (7ft 3")
- ▶ stowed length 6.55m (21ft 6")



All specs serve as a guideline only and are correct at time of going to print. Smart reserves the right to change the specification without any prior notice

new, with
230kg load
capacity

Z20HD

technical specification ▶▶▶

boom specifications

- ▶ working height 20.0m (65ft)
- ▶ outreach limit 9.2m (30ft)
- ▶ load capacity 230kg (507lbs)
- ▶ 320 degree boom rotation
- ▶ 75 degree cage rotate

vehicle chassis

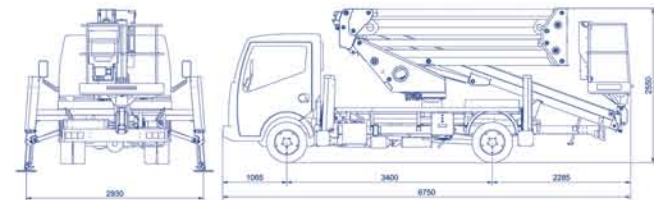
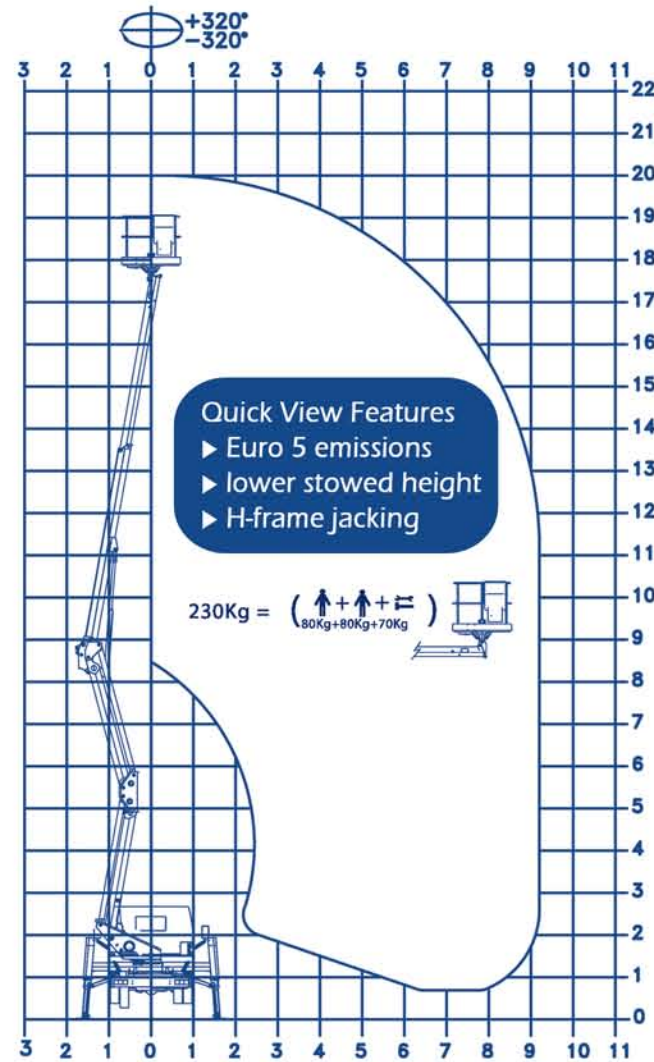
- ▶ Nissan 120hp Cabstar
- ▶ 3500kg GVW

travel dimensions

- ▶ stowed height 2.50m (8ft 3")
- ▶ stowed width 2.10m (6ft 9")
- ▶ stowed length 6.76m (22ft 3")



All specs serve as a guideline only and are correct at time of going to print. Smart reserves the right to change the specification without any prior notice



new,
fly jib with
full under
basket
clearance

Z20J+

technical specification ▶▶▶

boom specifications

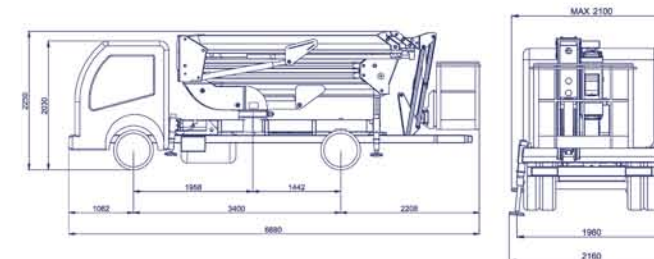
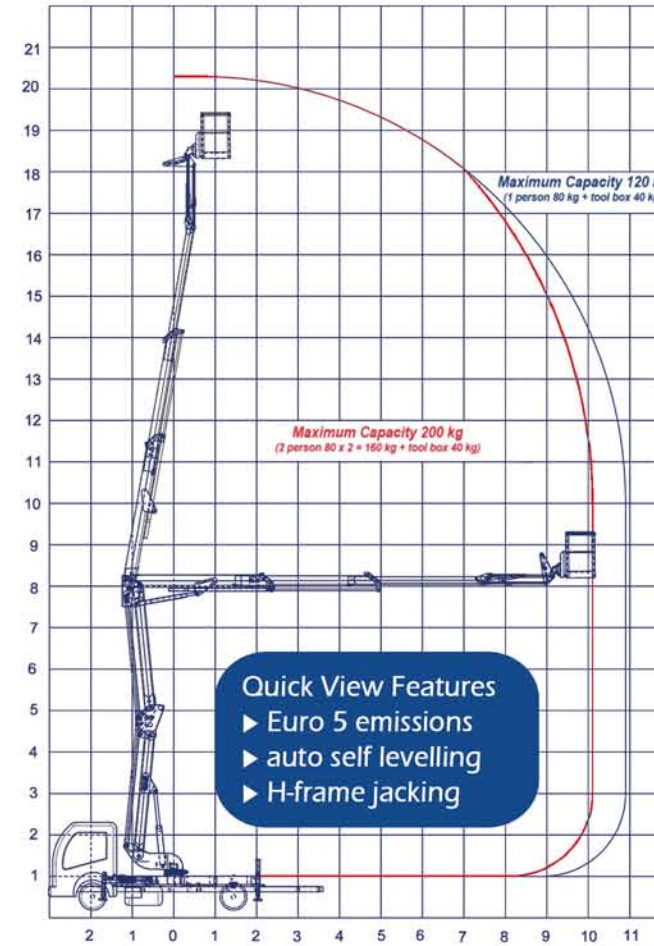
- ▶ working height 20.3m (66ft)
- ▶ outreach limit 11.0m (36ft)
- ▶ max load capacity 200kg (440lbs)
- ▶ 360 degree boom rotation
- ▶ 75 degree cage rotate

vehicle chassis

- ▶ Nissan 120hp Cabstar
- ▶ 3500kg GVW

travel dimensions

- ▶ stowed height 2.52m (8ft 4")
- ▶ stowed width 2.10m (6ft 9")
- ▶ stowed length 6.68m (21ft 11")



All specs serve as a guideline only and are correct at time of going to print. Smart reserves the right to change the specification without any prior notice

Z26

technical specification ▶▶▶

boom specifications

- ▶ working height 25.6m (84ft)
- ▶ outreach limit 12.0m (40ft)
- ▶ load capacity 230kg (507lbs)
- ▶ max jacking width 2.8m (9ft 2")
- ▶ 360 degree boom rotation
- ▶ 45 degree cage rotate

vehicle chassis

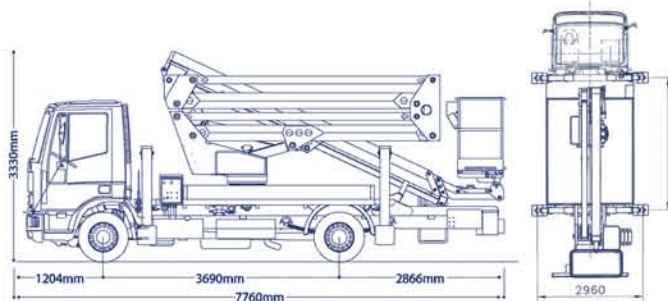
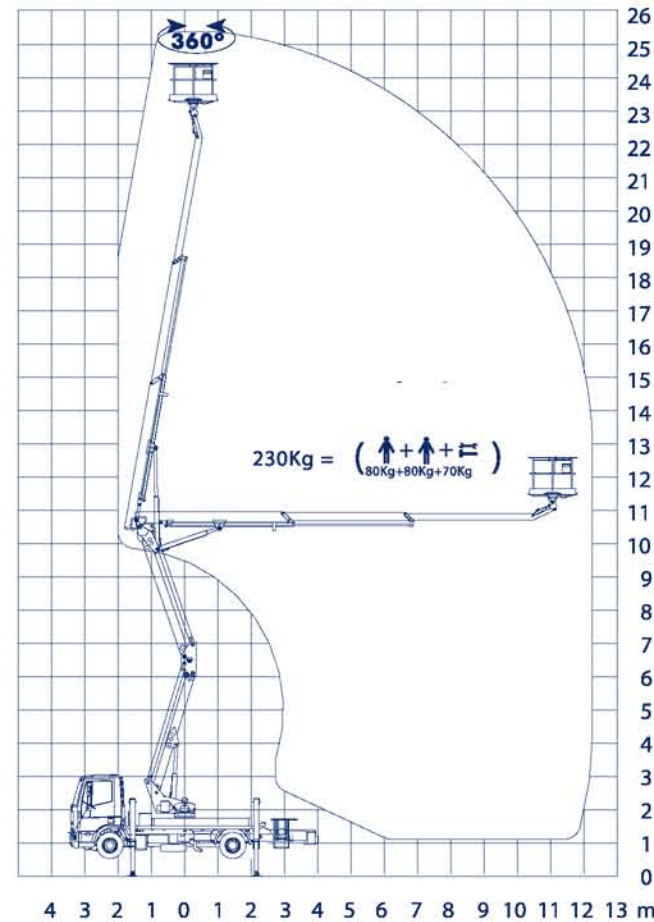
- ▶ Iveco chassis
- ▶ 7500kg GVW

travel dimensions

- ▶ stowed height 3.3m (10ft 10")
- ▶ stowed width 2.7m (8ft 10")
- ▶ stowed length 7.6m (24ft 11")



All specs serve as a guideline only and are correct at time of going to print. Smart reserves the right to change the specification without any prior notice



S26j

technical specification ▶▶▶

boom specifications

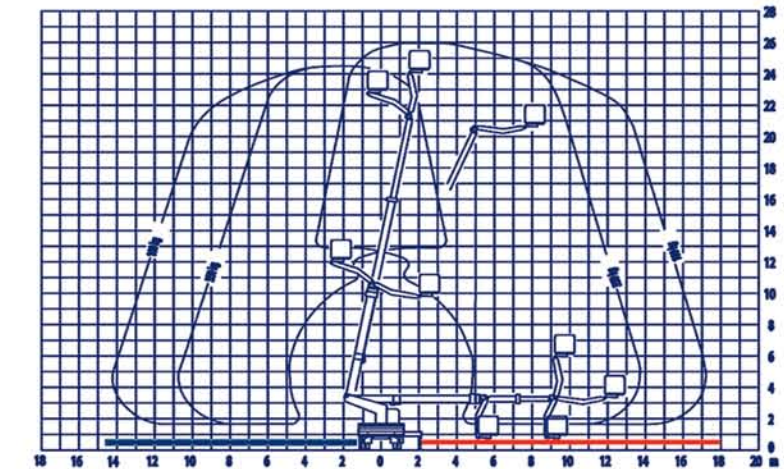
- ▶ working height 26.4m (86ft)
- ▶ outreach limit see jacking options
- ▶ load capacity 350kg (770lbs)
- ▶ 360 degree boom rotation
- ▶ 45 degree cage rotate

vehicle chassis

- ▶ Mann chassis
- ▶ 7500kg GVW

travel dimensions

- ▶ stowed height 3.6m (11ft 10")
- ▶ stowed width 2.6m (8ft 6")
- ▶ stowed length 9.1m (29ft 10")



jacking option 1

extended one side

- ▶ width 3.45m (11ft 3")
- ▶ max outreach at 100kg (1 person) 17.2m (56ft 5")
- ▶ max outreach at 350kg (3 persons) 13.9m (45ft 7")

jacking option 2

straight down jacks working over the side of vehicle

- ▶ width 2.5m (8ft 3")
- ▶ max outreach at 100kg (1 person) 14.3m (49ft 11")
- ▶ max outreach at 350kg (3 persons) 10.9m (35ft 10")

straight down jack working over the back of vehicle

- ▶ width 3.45m (11ft 3")
- ▶ max outreach at 100kg (1 person) 17.2m (56ft 5")
- ▶ max outreach at 350kg (3 persons) 13.9m (45ft 7")



All specs serve as a guideline only and are correct at time of going to print. Smart reserves the right to change the specification without any prior notice

Further Info

Registering

To hire from Smart is simple. You can either register online at our website, www.smartplatforms.co.uk, or download a PDF form from the site. If you download then please complete the appropriate form then fax back on 0871 871 93 93 or email to sales@smartplatforms.co.uk. Account registration can be done in a matter of hours and we'll let you know by post, email or phone.

Ordering

To place an order, contact us to check on availability; we recommended 3-4 days notice to avoid disappointment. To confirm placing an order, Smart require written confirmation either by fax, e-mail (sales@smartplatforms.co.uk) or through our Web site.

Hiring Process

Please note that all hires are covered under the Terms & Conditions of the Construction Plant-Hire Association (a full copy is available on request).

Platforms can be picked up from 7.30am (excluding PM Collects) and must be returned no later than 5.30pm (except for AM Returns).

Insurances

Road Going Insurance

All of our road going platform vehicles must be comprehensively insured. This can be done by either including our vehicle on your fleet insurance policy or using our Collision Damage Waiver (CDW).

Using Your Own Insurance

Each fleet policy varies, dependant on your insurance company. In all cases we will need to see a cover note or the policy document.

Using Our Insurance

Our Collision Damage Waiver (CDW) will provide you with fully comprehensive road going cover when driving and protection against accidental damage to the boom whilst on site. A full set of terms and conditions including exclusions are provided with each hire (also available upon request.)

We need to see your driving licence before you hire – both the card and paper counterpart. You can have more than one driver for each hire - we just need to see each person's licence. In the case of 7.5 tonne truck mounts you must have a Category C on your licence. Drivers 23 years old and over holding Full UK/EU licences with 6 penalty points or less are likely to be accepted under our standard policy. Higher levels of endorsement or lower age may be accepted subject to special conditions.

Hired in Plant Insurance - Narrow Tracked Platforms (NT) only

This plant is separate from the road going vehicle and needs to be insured either under your own Hired In Plant Policy or protected by our Plant Damage Waiver (PDW).

Using Your Own Insurance

Each fleet policy varies, dependant on your insurance company. In all cases we will need to see a cover note or the policy document as proof of sufficient cover for theft, damage whilst on site or in transit.

Using Our Insurance

Our Plant Damage Waiver (PDW) will provide you with sufficient cover whilst the machine is on hire. A full set of terms and conditions including exclusions are provided with each hire (also available upon request.)

Weekend Self Drive Hires

Platforms can be collected on Fridays after 4.30pm and must be returned by 8.00am the following Monday. Please note that CDW is also charged from Friday to Monday, if required.

Weekend Operated Hires

Availability should be checked for at least 5 working days in advance. One day hires comprise 8 hours working (including travel time). Operated weekend hires up to and including 20m are £469 and for 26m platforms £574.

PM Collection/AM Return

For a £30 tariff our platforms can be collected from 4.30pm the day prior to a hire or returned no later than 8.00am the day after. This must be arranged in advance of the hire. No individual hire can include a PM collect and AM return (except for weekend hires).

Cancellation Policy

In the event of cancelling an order Smart must be notified the day prior to hire (cancellations for Mondays need to be received the Friday prior) no later than 4.30pm. Cancellation later than this will be subject to our lowest rate, £99.

Delivery/Collect

This option is normally available only on hires over 3 days. Since this service is highly site specific please call for a quote for a particular hire.

Fuel

Hirers are provided with a full tank of fuel at commencement of hire. If returned with a full tank no charge is made. With a partial empty tank being returned then a premium rate will be charged.

Training (all prices quoted are per candidate)

IPAF One Day Operator Courses from £170 ^{excl VAT}

IPAF Half Day Training Courses from £100 ^{excl VAT}

PASMA One Day Tower Training courses from £145 ^{excl VAT}

NEW Ladder Training Half Day Course from £120 ^{excl VAT}

NEW Harness Usage One Day Course from £170 ^{excl VAT}

All courses provide 5 year certification

Please note:

All operatives must be over 16 years of age and bring relevant safety equipment and suitable outdoor clothing with them on the day.

If it is necessary to reduce numbers or cancel then 48 hours written notice must be given and acknowledged by Smart. If this notice period is not given, the full training minus the certification charge will be invoiced.

Safety harnesses are an IPAF recommendation and are available from £69.95 plus VAT. Wind meters are also available at £35.00 ^{excl VAT}.

Please note courses with a greater number of categories, those held on client sites or out of office hours will have a varying rate.

For a full course syllabus and course application form, call 0871 871 9292.

Rates

self drive
rental still
from £99
per day

Model	Work Height	Max Outreach	Basket Capacity	Vehicle Weight
Z10 truck mount	10.8m 35.0ft	4.4m 14.0ft	200kg 440lbs	3.5 tonnes
V12 van mount	12.5m 41.0ft	7.7m 25.0ft	230kg 507lbs	3.5 tonnes
RT13 4x4 mount	13.5m 44.0ft	6.2m 20.0ft	225kg 496lbs	3.5 tonnes
NT14 tracked mount	platform only 13.9m 45.6ft	6.7m 21.9ft	200kg 440lbs	3.5 tonnes
NT14 tracked mount	with carrier vehicle 13.9m 45.6ft	6.7m 21.9ft	200kg 440lbs	3.5 tonnes
Z14 truck mount	13.5m 44.0ft	7.0m 23.0ft	200kg 440lbs	3.5 tonnes
Z17 truck mount	17.2m 56.0ft	8.0m 26.0ft	200kg 440lbs	3.5 tonnes
Z19 truck mount	19.0m 62.0ft	8.0m 26.0ft	230kg 507lbs	3.5 tonnes
Z20 truck mount	20.0m 65.0ft	9.5m 31.0ft	200kg 440lbs	3.5 tonnes
Z20HD truck mount	20.0m 65.0ft	9.2m 30.0ft	230kg 507lbs	3.5 tonnes
Z20J+ truck mount	20.3m 66.0ft	11.0m 36.0ft	200kg 440lbs	3.5 tonnes
Z26 truck mount	25.6m 84.0ft	12m 39.4ft	230kg 507lbs	7.5 tonnes
S26j truck mount	26.4m 86.5ft	17.2m 56.4ft	350kg 770lbs	7.5 tonnes

AM Collect and PM Returns also available at £30

All prices subject to VAT and all rates are for hires within working hours 7.30am to 5.30pm

Prices correct at time of printing. Smart reserve the right to change these without prior notice

Model	Self – Drive Hire Rates					Collision Damage Waiver (if required)	Operated Hire Weekday	Half Day Operated Hire Weekday	Weekend Hire Collect
	1 day	2 day	3 day	4 day	5 th day				
Z10 truck mount	1 day £99	2 day £198	3 day £297	4 day £396	5 th day £396 FREE	per day £27.50	8hrs inc travel £369 O/Time £40hr	4hrs inc travel £269 O/Time £40hr	Collect Fri' pm £198 Return Mon' am
V12 van mount	1 day £109	2 day £218	3 day £327	4 day £436	5 th day £436 FREE	per day £27.50	8hrs inc travel £369 O/Time £40hr	4hrs inc travel £269 O/Time £40hr	Collect Fri' pm £218 Return Mon' am
RT13 4x4 mount	1 day £119	2 day £238	3 day £357	4 day £476	5 th day £476 FREE	per day £27.50	8hrs inc travel £369 O/Time £40hr	4hrs inc travel £269 O/Time £40hr	Collect Fri' pm £238 Return Mon' am
NT14 tracked mount	platform only 1 day £124	2 day £248	3 day £372	4 day £496	5 th day £496 FREE	per day £22.50	8hrs inc travel £369 O/Time £40hr	4hrs inc travel £269 O/Time £40hr	Collect Fri' pm £248 Return Mon' am
NT14 tracked mount	with carrier vehicle 1 day £173	2 day £346	3 day £519	4 day £692	5 th day £692 FREE	per day £32.50	8hrs inc travel £369 O/Time £40hr	4hrs inc travel £269 O/Time £40hr	Collect Fri' pm £346 Return Mon' am
Z14 truck mount	1 day £124	2 day £248	3 day £372	4 day £496	5 th day £496 FREE	per day £27.50	8hrs inc travel £369 O/Time £40hr	4hrs inc travel £269 O/Time £40hr	Collect Fri' pm £248 Return Mon' am
Z17 truck mount	1 day £134	2 day £268	3 day £402	4 day £536	5 th day £536 FREE	per day £27.50	8hrs inc travel £369 O/Time £40hr	4hrs inc travel £269 O/Time £40hr	Collect Fri' pm £268 Return Mon' am
Z19 truck mount	1 day £154	2 day £308	3 day £462	4 day £616	5 th day £616 FREE	per day £27.50	8hrs inc travel £369 O/Time £40hr	4hrs inc travel £269 O/Time £40hr	Collect Fri' pm £308 Return Mon' am
Z20 truck mount	1 day £154	2 day £308	3 day £462	4 day £616	5 th day £616 FREE	per day £27.50	8hrs inc travel £369 O/Time £40hr	4hrs inc travel £269 O/Time £40hr	Collect Fri' pm £308 Return Mon' am
Z20HD truck mount	1 day £164	2 day £328	3 day £492	4 day £656	5 th day £656 FREE	per day £27.50	8hrs inc travel £369 O/Time £40hr	4hrs inc travel £269 O/Time £40hr	Collect Fri' pm £328 Return Mon' am
Z20J+ truck mount	1 day £174	2 day £348	3 day £522	4 day £696	5 th day £696 FREE	per day £27.50	8hrs inc travel £369 O/Time £40hr	4hrs inc travel £269 O/Time £40hr	Collect Fri' pm £348 Return Mon' am
Z26 truck mount	1 day £284	2 day £568	3 day £852	4 day £1136	5 th day £1136 FREE	per day £46.50	8hrs inc travel £474 O/Time £50hr	4hrs inc travel £374 O/Time £50hr	Collect Fri' pm £568 Return Mon' am
S26j truck mount	1 day £284	2 day £568	3 day £852	4 day £1136	5 th day £1136 FREE	per day £46.50	8hrs inc travel £474 O/Time £50hr	4hrs inc travel £374 O/Time £50hr	Collect Fri' pm £568 Return Mon' am

Platform featured: new Z20HD
Location: Minworth Trade Park, Birmingham



tel; 0871 871 9292
fax: 0871 871 9393
e-mail: sales@smartplatforms.co.uk
web: www.smartplatforms.co.uk

Manchester Orbital Depot
Textilose Road
off Westinghouse Road
Trafford Park
Manchester
Greater Manchester
M17 1PH

London Orbital Depot
14 McDonald Business Park
McDonald Way
off Maylands Avenue
Hemel Hempstead
Hertfordshire
HP2 7EB

Midland Expressway Depot
G5-G6 Minworth Trade Park
Forge Lane
Minworth
Sutton Coldfield
West Midlands
B76 1DH