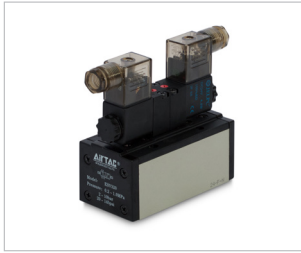
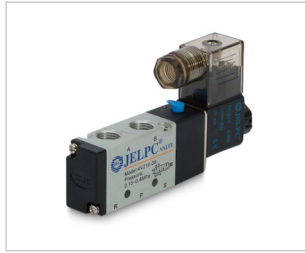


# PNEUMATIC SOLUTIONS AUSTRALIA

## PNEUMATIC VALVES



# Contents



Pneumatic Solutions Australia ..... 1

## Solenoid & Air Piloted Valves

- In-Line & Manifold Valves ..... 2

- ISO Valves ..... 8



## Manual Valves

- Toggle Valves ..... 10



- Pushbutton & Selector Switch Valves ..... 13

- Industrial Ball Valves ..... 17

- Foot Pedal Valves ..... 17



- Lever Valves ..... 18

- Rotary Level Valves ..... 19

## Mechanical Valves

- Cam Roller Valves ..... 20



## Auxiliary Valves

- Flow Control Valves ..... 21

- Quick Exhaust Valves ..... 22



- Axial Valves ..... 23

# Pneumatic Solutions Australia

## The industry leader for innovative pneumatic solutions.

Pneumatic Solutions Australia is widely recognised as a leading supplier of pneumatic equipment nationwide. For over a decade, we have specialised in supplying only the best pneumatic systems and pneumatic products, helping our clients to improve productivity and profitability with their industrial applications.

We supply leading pneumatic technologies to clients nationwide. Unlike other Australian pneumatic suppliers, our product range is not limited to any particular brand. This means that we can supply the best combinations of pneumatic equipment, tailored to suit your application.



### Team Expertise

Our loyal team members have experience across a diverse array of technical problems meaning that their knowledge and ability to troubleshoot and provide solutions is of a leading, best practice standard.



### Availability of Product

We strive to act as an extension to your business by having the product you need before you need it. We anticipate your requirements so that you don't have to wait for product to be shipped in from overseas.



### Brand Power

We associate ourselves with only the leading pneumatic and automation brands. This means that all of our solutions and products are the best in the marketplace.



### Innovative Solutions

Our commitment to quality means that we are constantly seeking out better solutions and products for our clients. If we think there could be a more logical or superior solution to your pneumatic requirements, we'll be sure to investigate.



### Quality Assurance

We directly relate the quality of our products to your productivity and profitability. For that reason, we offer only the highest quality products on the market.



### 24 Hour Breakdown Assistance

Time is money and we understand that you can't afford downtime. We offer immediate and 24 hour complimentary service support to keep your operations and facilities running around the clock.

# Solenoid & Air Pilot Valves

## JELPC 3V & 4V SOLENOID VALVES

### How to Order

Example: 4V 1 10 - 06 - DC12V - W

**Model**  
 3V: 3 Port/2 Position  
 4V: 5 Port/2 or 3 Position

**Series**  
 1: 100 Series  
 2: 200 Series  
 3: 300 Series  
 4: 400 Series

**Actuation and Position**  
 10: Single Solenoid  
 20: Double Solenoid  
 30C: Double Solenoid Closed Center  
 30E: Double Solenoid Exhaust Center  
 30P: Double Solenoid Pressure Center

**Electrical Connection**  
 LD: Plug with LED  
 W: Lead Wire

**Voltage**  
 DC12: 12vdc  
 DC24: 24vdc  
 AC24: 24vac  
 AC110: 110vac  
 AC220: 220vac

**Port Size**  
 M5: M5 x 0.8  
 06: 1/8" bsp  
 08: 1/4" bsp  
 15: 1/2" bsp



100 Series  
5/2 Single Solenoid



200 Series  
5/2 Double Solenoid



400 Series  
5/3 Double Solenoid

Technical Specifications							
Series	100 Series		200 Series		300 Series		400 Series
Port Size	M5 x 0.8	1/8" bsp	1/8" bsp	1/4" bsp	1/4" bsp	3/8" bsp	1/2" bsp
Working Medium	Air (Filtered by 40µ Filter Element)						
Motion Pattern	Inner Guide Type						
Working Pressure	0.15 - 0.8 MPa						
Maximum Test Pressure	1.2 MPa						
Maximum Ambient Temperature	5°C - 50°C						
Operating Voltage Tolerance	±10%						
Power Consumption	AC: 5.5VA DC: 4.8W						
Insulation	F Class						
Protection	IP65						
Wiring/Connector	Lead Wire or Connector Type						
Switching Frequency	5 cycle/sec						
Response Time	0.05 sec						

# Solenoid & Air Pilot Valves

INLINE & MANIFOLD VALVES

ISO VALVES

MANUAL VALVES

MECHANICAL VALVES

AUXILIARY VALVES

## JELPC JELV SOLENOID VALVES

### How to Order

Example: JELV 52 2 10 - DC12V - W

<p><b>Actuation</b> 52: 5 Port/2 Position 53: 5 Port/3 Position</p> <p><b>Series (Port Size)</b> 1: 100 Series 1/8" bsp 2: 200 Series 1/4" bsp 3: 300 Series 3/8" bsp 4: 400 Series 1/2" bsp</p>	<p><b>Plug Type</b> LD: Plug with LED W: Lead Wire</p> <p><b>Voltage</b> DC12V: 12vdc DC24V: 24vdc AC24V: 24vac AC110V: 110vac AC220V: 220vac</p> <p><b>Position</b> S: Single Solenoid D: Double Solenoid C: Double Solenoid Closed Center E: Double Solenoid Exhaust Center P: Double Solenoid Pressure Center</p>
--	--



100 Series  
5/2 Single Solenoid



200 Series  
5/2 Double Solenoid



400 Series  
5/3 Double Solenoid

### Technical Specifications

Series	100 Series	200 Series	300 Series	400 Series
Port Size	1/8" bsp	1/4" bsp	3/8" bsp	1/2" bsp
Working Medium	Air (Filtered by 40µ Filter Element)			
Motion Pattern	Inner Guide Type			
Working Pressure	0.15 - 0.8 MPa			
Maximum Test Pressure	1.2 MPa			
Maximum Ambient Temperature	5°C - 50°C			
Operating Voltage Tolerance	±10%			
Power Consumption	AC: 5.5VA DC: 4.8W			
Insulation	F Class			
Protection	IP65			
Wiring/Connector	Lead Wire or Connector Type			
Switching Frequency	5 cycle/sec			
Response Time	0.05 sec			

# Solenoid & Air Pilot Valves

## JELPC 3V1 SOLENOID VALVES

### How to Order

Example: **3V 1 06 A - AC220V - W - 2 F**

<p><b>Actuation</b> 3V: 3/2</p> <p><b>Series</b> 1: 100 Series</p> <p><b>Port Size</b> M5: M5 x 0.8 06: 1/8" bsp</p> <p><b>Connecting Type</b> Blank: Pipe A: Diecast Body</p>	<p><b>Number of Valve Stations</b> 1 - 20</p> <p><b>Plug Type</b> LD: Plug with LED W: Lead Wire</p> <p><b>Voltage</b> DC12V: 12vdc DC24V AC24V: 24vac AC110V: 110vac AC220V: 220vac</p>
--	--



100 Series  
Pipe Body



100 Series  
Manifolded Pipe Body



100 Series  
Manifolded Diecast Body

Technical Specifications	
Working Medium	Air (Filtered by 40µ Filter Element)
Operation	Direct
Working Pressure	0 - 0.8 MPa
Maximum Test Pressure	1.2 MPa
Maximum Ambient Temperature	-10°C - 60°C
Gas Temperature	5°C - 60°C
Operating Voltage Tolerance	±10%
Lbrication	Not Required
Material of Body	Aluminium Alloy
Power Consumption	AC: 5.5VA DC: 4.8W
Insulation	F Class
Protection	IP65
Wiring/Connector	Lead Wire or Connector Type
Switching Frequency	10 cycle/sec
Response Time	0.05 sec
Flow Aperture	1mm

# Solenoid & Air Pilot Valves

## JELPC 3A & 4A AIR PILOTED VALVES

### How to Order

Example:

4A 1 10 - 06

#### Model

3A: 3 Port/2 Position

4A: 5 Port/2 or 3 Position

#### Series

1: 100 Series

2: 200 Series

3: 300 Series

4: 400 Series

#### Port Size

M5: M5 x 0.8

06: 1/8" bsp

08: 1/4" bsp

15: 1/2" bsp

#### Actuation and Position

10: Single Pilot

20: Double Pilot

30C: Double Pilot Closed Center

30E: Double Pilot Exhaust Center

30P: Double Pilot Pressure Center



100 Series  
5/2 Single Pilot



200 Series  
5/2 Single Pilot

### Technical Specifications

Series	100 Series		200 Series		300 Series		400 Series
Port Size	M5 x 0.8	1/8" bsp	1/8" bsp	1/4" bsp	1/4" bsp	3/8" bsp	1/2" bsp
Working Medium	Air (Filtered by 40µ Filter Element)						
Motion Pattern	Inner Guide Type						
Working Pressure	0.15 - 0.8 MPa						
Maximum Test Pressure	1.2 MPa						
Maximum Ambient Temperature	-10°C - 60°C						
Operating Voltage Tolerance	±10%						
Power Consumption	AC: 5.5VA DC: 4.8W						
Insulation	F Class						
Protection	IP65						
Wiring/Connector	Lead Wire or Connector Type						
Switching Frequency	10 cycle/sec						
Response Time	0.05 sec						

INLINE & MANIFOLD VALVES

ISO VALVES

MANUAL VALVES

MECHANICAL VALVES

AUXILIARY VALVES

# Solenoid & Air Pilot Valves

## JELPC SOLENOID & AIR PILOTED VALVE SUB-BASE MANIFOLDS

### How to Order

Example: 100M - 8 F

**Series**

100M: Sub-plate for 100 Series Valves  
 200M: Sub-plate for 200 Series Valves  
 300M: Sub-Plate for 300 Series Valves  
 400M: Sub-plate for 400 Series Valves

**Number of Valve Stations**

1 - 20



4V 200 Series  
Manifolded



100 - 400 Series  
Sub-Base Manifold

## JELPC SOLENOID VALVE COILS

### How to Order

Example: 100C - DC24V - W

**Series**

100C: Coil for 100 Series Valves  
 200C: Coil for 200 - 400 Series Valves

**Plug Type**

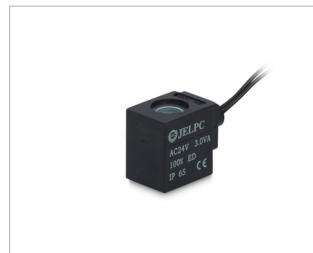
LD: Plug with LED  
 W: Lead Wire

**Voltage**

DC12V: 12vdc  
 DC24V: 24vdc  
 AC24V: 24vac  
 AC110V: 110vac  
 AC220V: 220vac



100 Series  
Coil with Plug



100 Series  
Coil with Flying Leads



200 Series  
Coil with Plug



200 Series  
Coil with Flying Leads

For use on 3V, 4V and JELV (100 Series) valves.

For use on 3V, 4V and JELV (200 - 400 Series) valves.



# Solenoid & Air Pilot Valves

INLINE & MANIFOLD VALVES

ISO VALVES

MANUAL VALVES

MECHANICAL VALVES

AUXILIARY VALVES

## MINDMAN MVSY SOLENOID VALVES

### How to Order

Example: MVSY - 100 M - 4 E2 C - DC12 - SR

#### Series (Body Size)

100: 10mm  
156: 15mm  
188: 18mm

#### Type

Blank: Body Ported  
M: Manifold

#### 4-Way

#### Actuation

E1: Single Solenoid  
E2: Double Solenoid

#### Plug Type

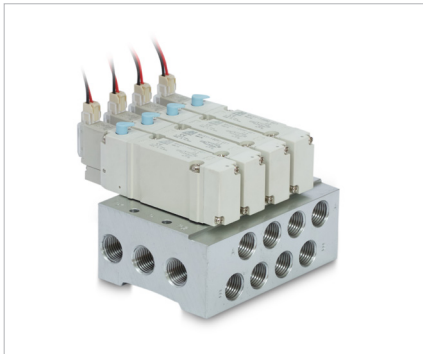
SR: Plug on Top

#### Voltage

DC12: 12vdc  
DC24: 24vdc  
AC110: 110vac  
AC220: 220vac

#### Position (for E2 only)

C: 5/3 Closed Center  
P: 5/3 Pressure Center  
R: 5/3 Exhaust Center



156 Series  
Manifolded



100 Series  
Body Ported Single Solenoid



156 Series  
Manifold Single Solenoid

### Technical Specifications

Series	100 Series	156 Series	188 Series
Port Size	M5 x 0.8	1/8" bsp	1/4" bsp
Working Medium	Air		
Flow	5/2	444 NI / min	666 NI / min
	5/3	177.6 NI / min	333 NI / min
Working Pressure	5/2	0.15 - 0.7 MPa	
	5/3	0.2 - 0.7 MPa	
Maximum Test Pressure	1 MPa		
Maximum Ambient Temperature	5°C - 50°C		
Operating Voltage Tolerance	±10%		
Power Consumption	AC: 1.6 / 2.5VA DC: 1.2W (LED Indicator)		
Insulation	B Class		
Effective Orifice	5/2	4mm <sup>2</sup>	15mm <sup>2</sup>
	5/3		12mm <sup>2</sup>
Response Time	12 ms - 15 ms	19 ms - 32 ms	23 ms - 50 ms

## MINDMAN MVSY SOLENOID VALVE SUB-BASE MANIFOLDS

### How to Order

Example: MVSY - 100 M - 5M 3 - G

#### Type

Blank: Body Ported  
M: Manifold

#### Number of Valve Stations

1 - 20

#### Manifold

5B: for Body Ported Type  
5m: for Manifold Type

# Solenoid & Air Pilot Valves

## AIRTAC ESV SOLENOID ISO VALVES

### How to Order

Example: ESV 2 10 - DC12V - W

**Series (Port Size)**

2: 200 Series (ISO 1) 1/4" bsp  
3: 300 Series (ISO 2) 3/8" bsp

**Actuation and Position**

10: 5/2 Single Solenoid  
20: 5/2 Double Solenoid  
30C: 5/3 Double Solenoid Closed Center  
30E: 5/3 Double Solenoid Exhaust Center  
30P: 5/3 Double Solenoid Pressure Center

**Plug Type**

LD: Plug with LED  
W: Lead Wire

**Voltage**

DC12V: 12vdc  
DC24V: 24vdc  
AC24V: 24vac  
AC110V: 110vac  
AC220V: 220vac



5/2 Single Solenoid



5/2 Double Solenoid



5/3 Double Solenoid

Technical Specifications

Working Medium	Air (Filtered by 40μ Filter Element)	
Acting	Internal Pilot or External Pilot	
Lubrication	Not Required	
Maximum Test Pressure	Internal Pilot	0.2 - 1.0 MPa (29 - 145psi)
	External Pilot	0.0 - 1.0 MPa (0 - 145psi)
Maximum Ambient Temperature	-20 - 70°C	
Operating Voltage Tolerance	±15%	
Power Consumption	AC: 3.5VA DC: 3.0W	
Insulation	B Class	
Protection	IP65	
Wiring/Connector	Lead Wire or Connector Type	
Installation Size	ISO5599-1 Standard	

# Solenoid & Air Pilot Valves

## AIRTAC ESA AIR PILOTED ISO VALVES

### How to Order

Example:

ESA 2 10

#### Model and Port Size

2: 200 Series (ISO 1) 1/4" bsp  
3: 300 Series (ISO 2) 3/8" bsp

#### Actuation and Position

10: 5/2 Single Pilot  
20: 5/2 Double Pilot  
30C: 5/3 Double Pilot Closed Center  
30E: 5/3 Double Pilot Exhaust Center  
30P: 5/3 Double Pilot Pressure Center



5/2 Single Pilot



5/3 Double Pilot

#### Technical Specifications

Working Medium	Air (Filtered by 40μ Filter Element)	
Acting	Internal Pilot or External Pilot	
Lubrication	Not Required	
Maximum Test Pressure	Internal Pilot	0.2 - 1.0MPa (29 - 145psi)
	External Pilot	0.0 - 1.0MPa (0 - 145psi)
Maximum Ambient Temperature	-20 - 70°C	
Operating Voltage Tolerance	±15%	
Power Consumption	AC: 3.5VA DC: 3.0W	
Insulation	B Class	
Protection	IP65	
Wiring/Connector	Lead Wire or Connector Type	
Installation Size	ISO5599-1 Standard	

## AIRTAC ESV SOLENOID AND AIR PILOTED ISO VALVE SUB-BASE MANIFOLDS

### How to Order

Example:

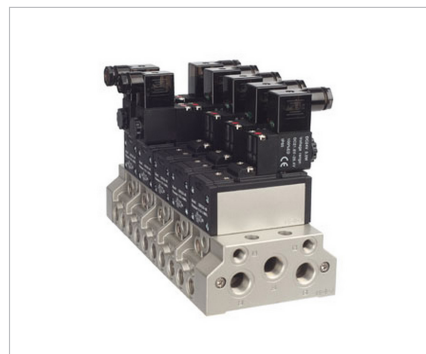
ESV 2 1M G

#### Series (Port Size)

2: 200 Series (ISO 2) 1/4" bsp  
3: 300 Series (ISO 3) 3/8" bsp

#### Manifold Type

1M: Individual Sub-Base  
2M: Manifold Sub-Base  
3M: Subassembly Plate



Manifold Sub-Base



Individual Sub-Base

# Toggle Valves

## PNEUMADYNE 2 POSITION TOGGLE VALVES



### PNEUMADYNE 3 PORT/2 POSITION MINIATURE TOGGLE VALVE

Part Number	Port Size	Actuation	Function
C040121	1/8" npt (f)	Detented	3 Port/2 Position



### PNEUMADYNE 5 PORT/2 POSITION MINIATURE TOGGLE VALVE

Part Number	Port Size	Actuation	Function
H4C-1/8-DT	1/8" npt (f)	Detented	5 Port/2 Position

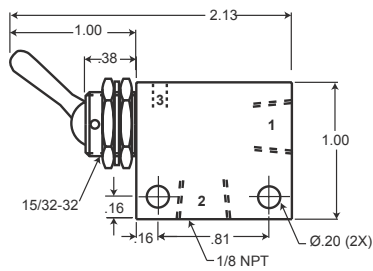


### PNEUMADYNE 3 AND 5 PORT/2 POSITION TOGGLE VALVE

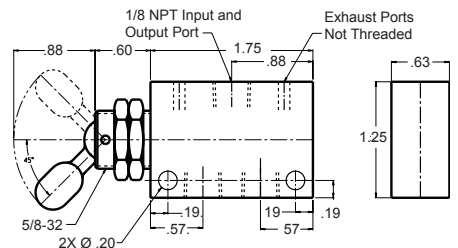
Part Number	Port Size	Actuation	Function
S09-1704	1/8" npt (f)	Detented	3 Port/2 Position
S09-1744	1/8" npt (f)	Momentary	3 Port/2 Position
S09-1691	1/8" npt (f)	Detented	5 Port/2 Position

### Technical Dimensions

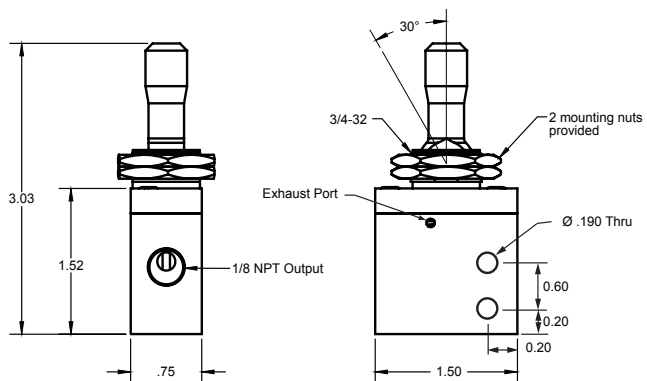
#### C04012\*



#### H4C-1/8-DT



#### C04012\*



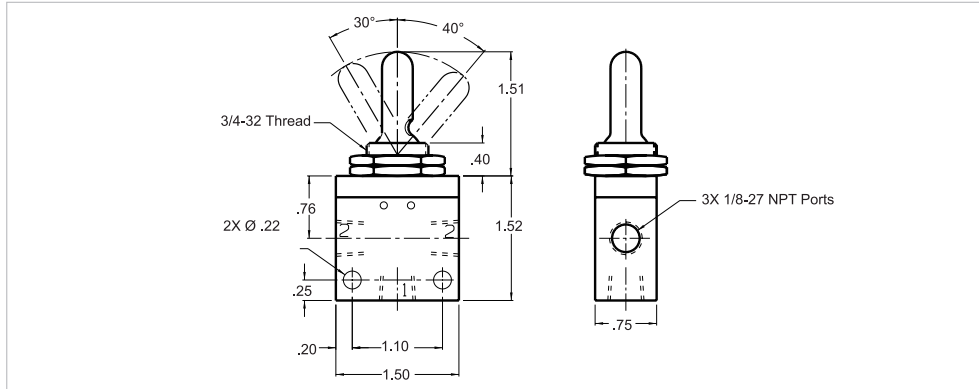
## PNEUMADYNE 3 POSITION TOGGLE VALVES



### PNEUMADYNE 5 PORT/3 POSITION TOGGLE VALVE

Part Number	Port Size	Actuation	Function
C042603	1/8" npt (f)	Momentary	5 Port/3 Position, Closed Centre
C042503-HD	1/8" npt (f)	Momentary	5 Port/3 Position, Open Centre
C042501-HD	1/8" npt (f)	Detented	5 Port/3 Position, Open Centre

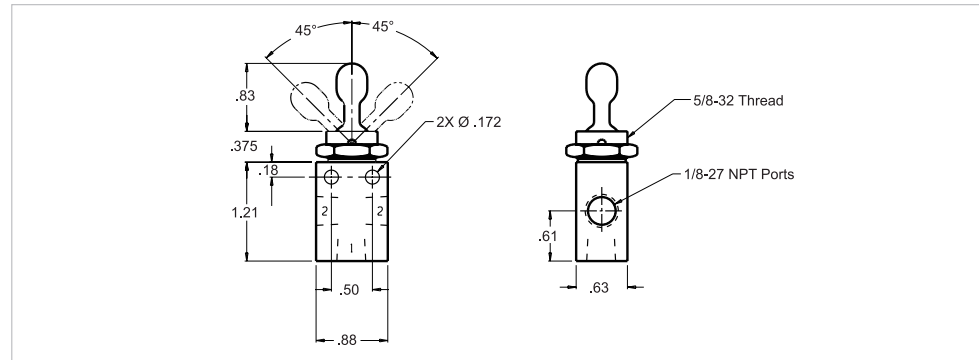
#### Technical Dimensions



### PNEUMADYNE 5 PORT/3 POSITION MINIATURE TOGGLE VALVE

Part Number	Port Size	Actuation	Function
C042403	1/8" npt (f)	Momentary	5 Port/3 Position, Open Centre
C042401	1/8" npt (f)	Detented	5 Port/3 Position, Open Centre

#### Technical Dimensions



# Toggle Valves

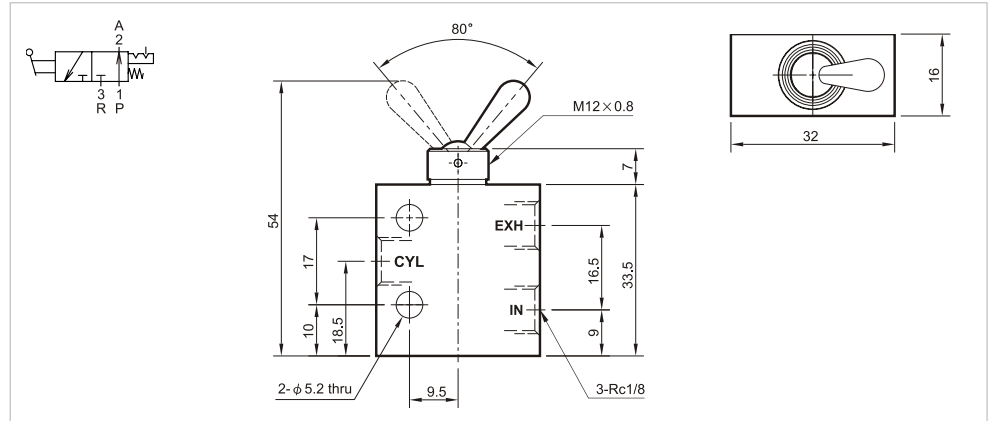
## MINDMAN MVHA 2 POSITION TOGGLE VALVES



### MINDMAN MVHA 3 PORT, 2 POSITION TOGGLE VALVE

Part Number	Port Size	Actuation	Function
MVHA-31V	1/8" npt (f)	Detented	3 Port/2 Position

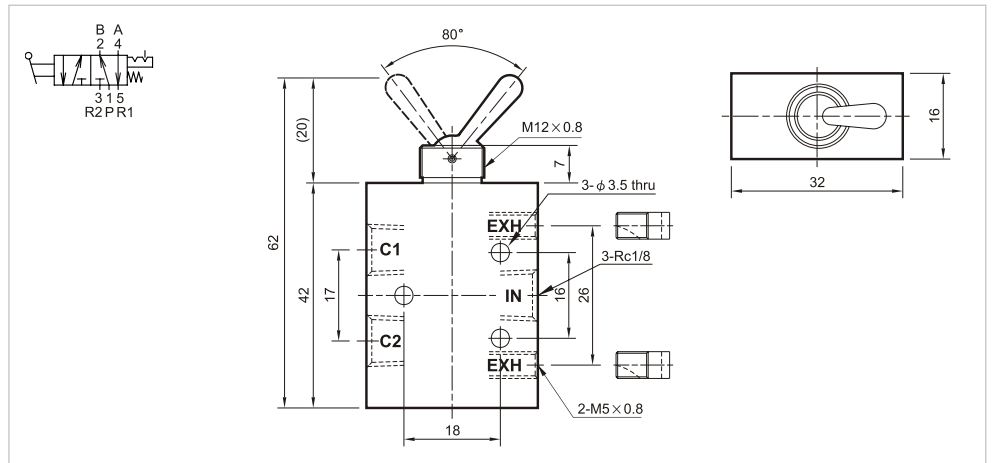
#### Technical Dimensions



### MINDMAN MVHA 5 PORT, 2 POSITION TOGGLE VALVE

Part Number	Port Size	Actuation	Function
MVHA-41V	1/8" npt (f)	Detented	5 Port/2 Position

#### Technical Dimensions



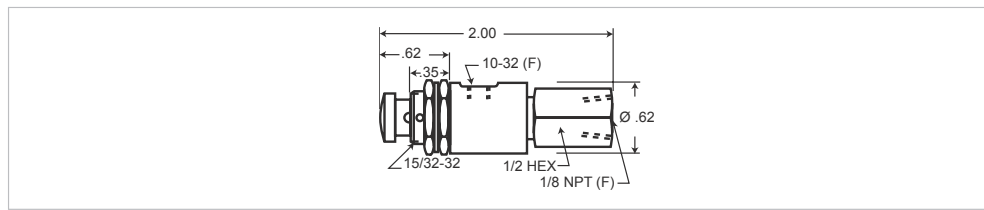
# Pushbutton & Selector Switch Valves



## PNEUMADYNE 2 PORT NYLON ROUND PUSHBUTTON VALVE

Part Number	Input	Port Size	Actuation	Function
A0-20-4	1/8" npt (f)	10-32 (f)	Momentary	2 Port/2 Position

### Technical Dimensions

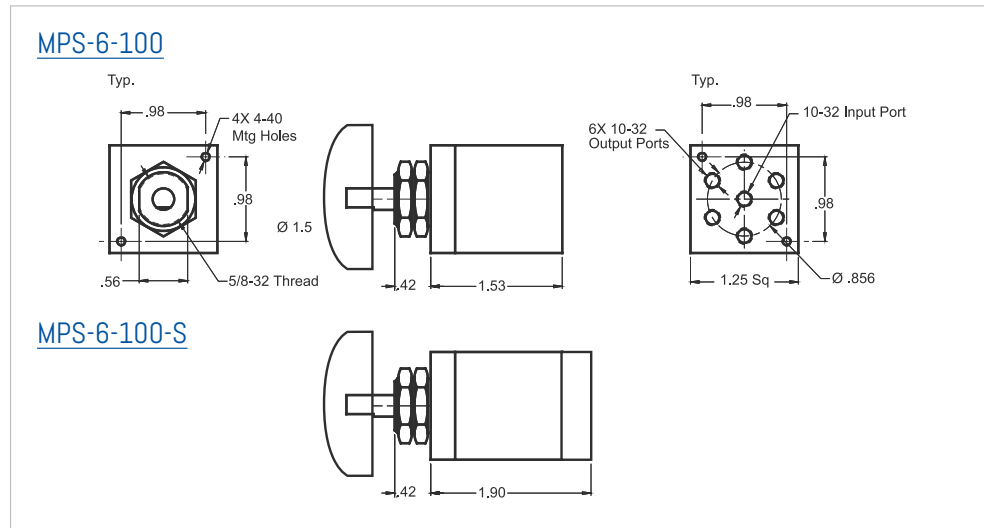


## PNEUMADYNE MPS 6 POSITION SELECTOR SWITCH VALVE

Part Number	Input	Port Size	Operator	Actuation	Function
MPS-6-100	10-32 (f)	10-32 (f)	Standard	Detented	7 Port/6 Positions
MPS-6-100-S	10-32 (f)	10-32 (f)	Shut-Off	Detented	7 Port/6 Positions

Selector Valves allow the actuation of up to six individual circuits from a common input port. Two styles of valves, Standard and Shut-off, are available to accommodate application requirements.

### Technical Dimensions



# Pushbutton & Selector Switch Valves

## MINDMAN MVHA PUSHBUTTON VALVES

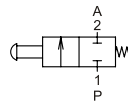


### MINDMAN MVHA 2 AND 3 PORT ROUND PUSHBUTTON VALVE

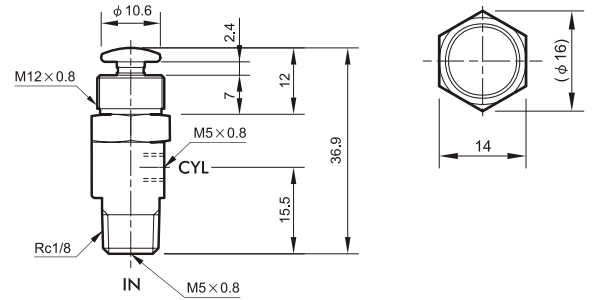
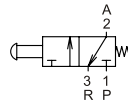
Part Number	Input	Port Size	Actuation	Function
MVHA-2P	1/8" npt (f)	M5 x P0.8	Momentary	2 Port/2 Position
MVHA-3P	1/8" npt (f)	M5 x P0.8	Momentary	3 Port/2 Position

#### Technical Dimensions

#### 2 Port/2 Position



#### 3 Port/2 Position

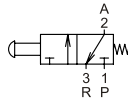


### MINDMAN MVHA 3 PORT MINIATURE PUSHBUTTON VALVE

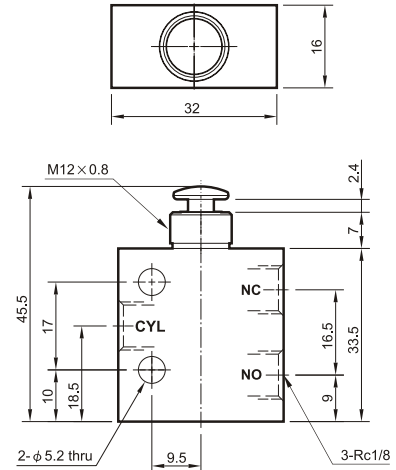
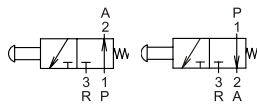
Part Number	Port Size	Actuation	Function
MVHA-31P	1/8" npt (f)	Momentary	3 Port/2 Position

#### Technical Dimensions

#### Normally Open



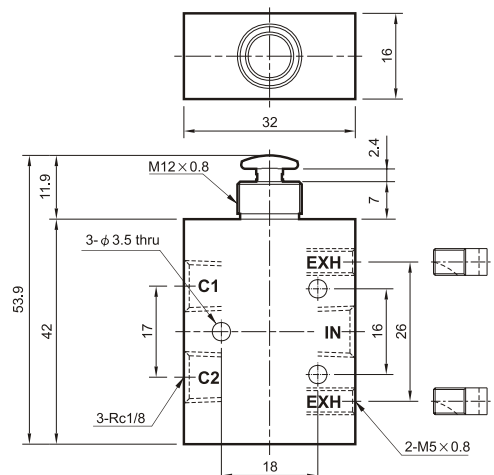
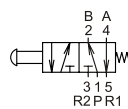
#### Normally Closed



### MINDMAN MVHA 5 PORT MINIATURE PUSHBUTTON VALVE

Part Number	Port Size	Actuation	Function
MVHA-41P	1/8" npt (f)	Momentary	5 Port/2 Position

#### Technical Dimensions





# Pushbutton & Selector Switch Valves

## MINDMAN MVMB PUSHBUTTON & SELECTOR SWITCH VALVES

### How to Order

Example: MVMB - 220 - 4 EB - 25 R

#### Series

220: 220 Series  
250: 250 Series  
300: 300 Series

#### Function

2: 2 Port/2 Position (250 Series Only)  
3: 3 Port/2 Position  
4: 5 Port/3 Position

#### Operator

B1: Body (without operator)  
EB: Emergency Stop Button  
LB: Extended Selector Switch  
TB: Selector Switch  
PB: Mushroom Palm Button  
PP: Pushbutton

#### Pushbutton Colour

Operator	Colour
B1	-
EB	G: Green
	R: Red
LB TB	B: Black
PB PP	B: Black
	G: Green
	R: Red

#### Button Size

22: 22 Ø  
25: 25 Ø  
30: 30 Ø



220 Series  
3/2 Mushroom Palm Button



220 Series  
3/2 Pushbutton



220 Series  
5/2 Selector Switch



250 Series  
2/2 Pushbutton

#### Technical Specifications

Series	220 Series	250 Series	300 Series
Port Size	1/4" bsp		3/8" bsp
Working Medium	Air		
Working Pressure	0.15 - 0.8 MPa	0.0 - 1.0 MPa	0.15 - 0.8 MPa
Maximum Test Pressure	1.0 MPa		
Maximum Ambient Temperature	-5°C - 60°C		
Effective Orifice	18mm <sup>2</sup>		30mm <sup>2</sup>

# Pushbutton & Selector Switch Valves

## MAC 35 SERIES PUSHBUTTON AND SELECTOR SWITCH VALVES

### How to Order

Example: 35A - ACA - G032

**Port Size**

ACA: 1/8" bsp  
 AAA: 1/8" npt

**Operator**

R032: Red Pushbutton  
 G032: Green Pushbutton  
 B032: Black Pushbutton  
 G037: Green Palm Button  
 R037: Red Palm Button  
 0088: Emergency Stop Button  
 0089: Extended Selector Switch



35A-ACA-G032  
 3/2 Pushbutton



35A-ACA-0088  
 3/2 Emergency Stop Button



35A-ACA-0089  
 3/2 Extended Selector Switch

# Industrial Ball Valves

INLINE & MANIFOLD VALVES

ISO VALVES

MANUAL VALVES

MECHANICAL VALVES

AUXILIARY VALVES

## LEGRIS INDUSTRIAL BALL VALVES



### LEGRIS 4902 FEMALE/FEMALE, BSP PARALLEL

Part Number	Ø (mm)	Thread
4902 25 34	25	1" bsp (f)
4902 50 48	50	2" bsp (f)
4902 80 46	80	3" bsp (f)

### Technical Specifications

Maximum Working Pressure	435 psi
Working Temperature	-20°C - 130°C
Body	Nickel-Plated Brass
Retaining Nut	Nickel-Plated Brass
Stem	Nickel-Plated Brass
Stem Seal	PTFE
'O' Rings	PTFE
Ball Seal	PTFE
Handle	Treated Steel
Switching Frequency	5 cycle/sec
Response Time	0.05 sec

# Foot Pedal Valves

## MINDMAN MVFA FOOT PEDAL VALVES

### How to Order

Example: **MVFA - 230 - 8A - L**

#### Series (Body Size)

230: 3-Way/2 Position NC  
231: 3-Way/2 Position NO  
240: 4-Way/2 Position

#### Port Size

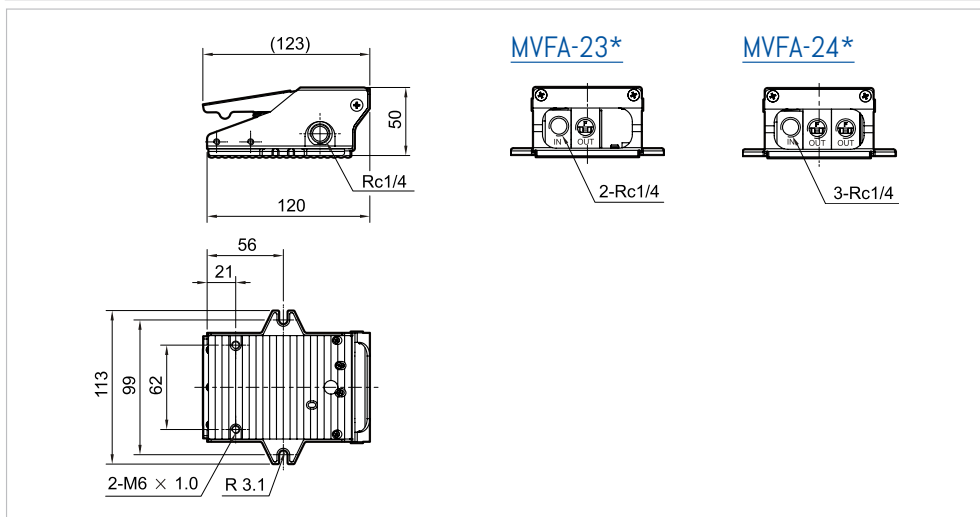
8A: 1/4" bsp (F)

#### Lock

Blank: Without Lock  
L: With Lock



### Technical Dimensions



### Technical Specifications

Working Medium	Air
Working Pressure	0.2 - 0.7 MPa
Maximum Test Pressure	1.0 MPa
Maximum Ambient Temperature	-5°C - 60°C
Effective Orifice	8mm <sup>2</sup>

# Lever Valves

## MINDMAN MVHB LEVER VALVES

### How to Order

Example: **MVHB - 220 V - 4 TV C - SP - M**

**Series (Body Size)**

220  
260  
300  
500

**Body Orientation**

Blank: Horizontal  
V: Vertical (not available for 220)

**Function**

4: 4-Way

Blank: Standard Type  
M: Panel Mounting

**Actuation**

Spring Return

**Position**

Blank: 5/2  
C: 5/3 Closed Center  
P: 5/3 Pressure Center  
R: 5/3 Exhaust Center



220 Series



260 Series



300 Series



500 Series

Technical Specifications

Model	220 Series	260 Series	300 Series	500 Series
Port Size	1/4" bsp		3/8" bsp	1/2" bsp
Working Medium	Air			
Working Pressure	0.0 - 0.8 MPa		0.0 - 1.0 MPa	0.0 - 1.2 MPa
Maximum Test Pressure	1.0 MPa			
Maximum Ambient Temperature	-5°C - 60°C			
Effective Orifice	5/2	18mm <sup>2</sup>	18mm <sup>2</sup>	34mm <sup>2</sup>
	5/3	16mm <sup>2</sup>		

# Rotary Lever Valves

## MINDMAN MVHC ROTARY LEVER VALVES

### How to Order

Example: **MVHC - 2 2 0 - 4 H - 8A**

#### Series (Body Size)

2: 2 Series

3: 3 Series

4: 4 Series

#### Port Position

0: Side

2: Bottom (available for 3 and 4)

#### Position

0: 4/3 Closed Center

1: 4/3 Pressure Center

2: 4/3 Exhaust Center

#### Port Size

6A: 1/8" bsp (F)

8A: 1/4" bsp (F)

10A: 3/8" bsp (F)

15A: 1/2" bsp (F)

20A: 3/4" bsp (F)

#### Type

4: 4-Way



2 Series



3 Series



4 Series

### Technical Specifications

Model	2 Series		3 Series			4 Series			
Port Size	1/8" bsp	1/4" bsp	1/4" bsp	3/8" bsp	1/2" bsp	1/4" bsp	3/8" bsp	1/2" bsp	3/4" bsp
Working Medium	Air								
Working Pressure	0.0 - 1.0 MPa								
Maximum Test Pressure	1.0 MPa								
Maximum Ambient Temperature	-5°C - 60°C								
Effective Orifice	7mm <sup>2</sup>		26mm <sup>2</sup>	29mm <sup>2</sup>	33mm <sup>2</sup>	26mm <sup>2</sup>	59mm <sup>2</sup>	64mm <sup>2</sup>	71mm <sup>2</sup>

INLINE & MANIFOLD VALVES

ISO VALVES

MANUAL VALVES

MECHANICAL VALVES

AUXILIARY VALVES

# Cam Roller Valves

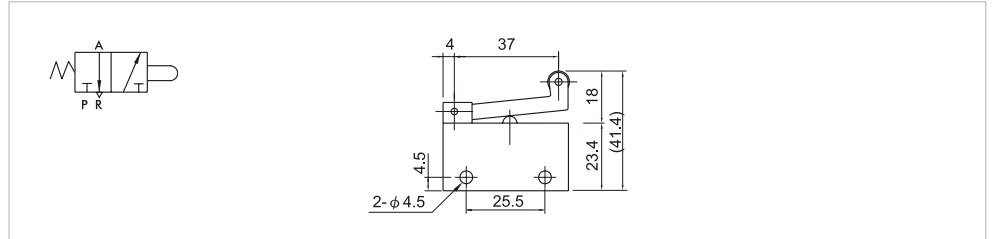


## MINDMAN EPA CAM LEVER VALVES

### MINDMAN EPA ROLLER CAM LEVER VALVE

Part Number	Port Size	Actuation	Function
EPA-105	1/8" npt	Momentary	3 Port/2 Position

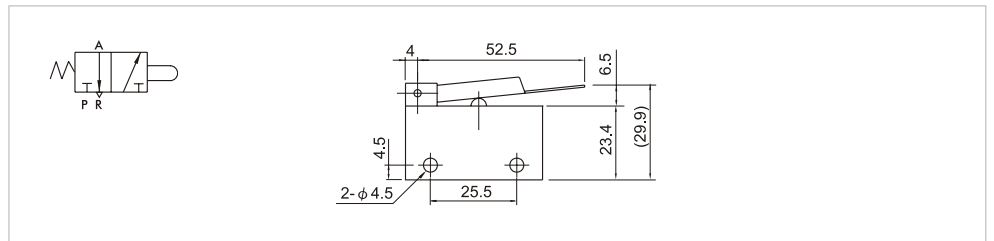
#### Technical Dimensions



### MINDMAN EPA CAM LEVER VALVE

Part Number	Port Size	Actuation	Function
EPA-107	1/8" npt	Momentary	-

#### Technical Dimensions



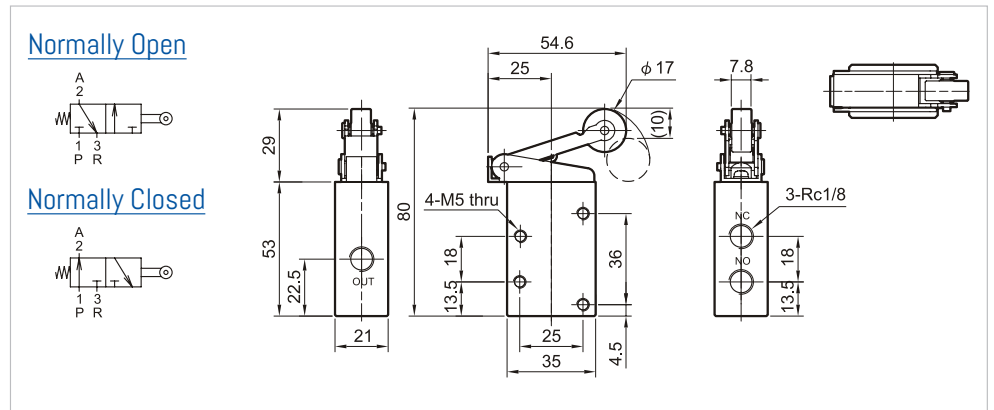
## MINDMAN MVMC CAM LEVER VALVES



### MINDMAN MVMC-210 ROLLER CAM LEVER VALVE

Part Number	Port Size	Actuation	Function
MVMC-210-6A-3R1	1/8" npt (F)	Momentary	5 Port/2 Position

#### Technical Dimensions



## MINDMAN MVQE QUICK EXHAUST VALVES

### How to Order

Example: **MSC - 2 00 - 8A**

#### Series (Bore)

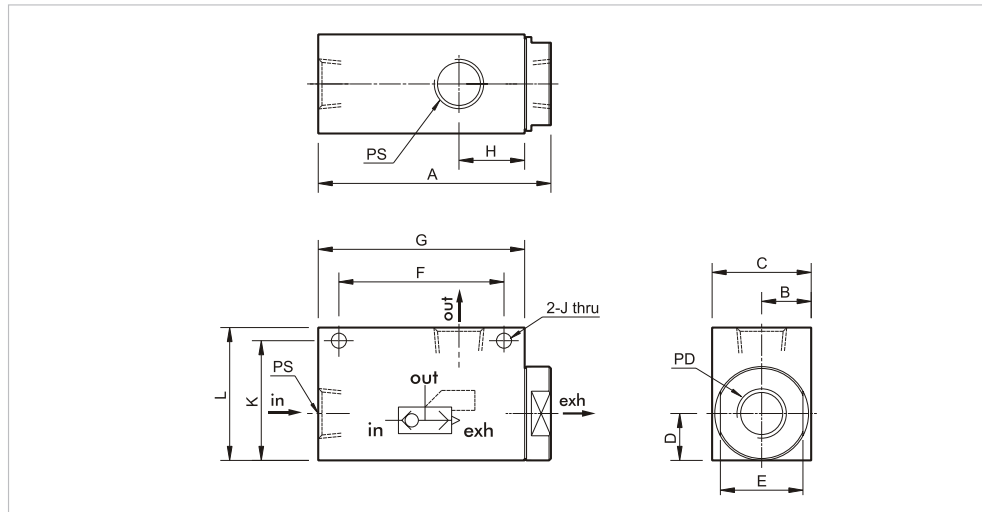
2: M14×1.25  
3: M18×1.0

#### Port Size

6A: 1/8" bsp (f) (MVQE-200)  
8A: 1/4" bsp (f) (MVQE-200)  
10A: 3/8" bsp (f) (MVQE-300)  
15A: 1/2" bsp (f) (MVQE-300)



### Technical Dimensions



### Dimension Index

Part Number	A	B	C	D	E	F	G	H	J	
MSC-200	6A	46	19	22.5	4	28.7	43.8	48.6	1/8" bsp	M14×1.25
	8A	46	19	22.5	4	28.7	43.8	48.6	1/4" bsp	M14×1.25
MSC-300	10A	56	25.4	30	4	37	53.7	62.5	3/8" bsp	M18×1.0
	15A	56	25.4	30	4	37	53.7	62.5	1/2" bsp	M18×1.0

# Quick Exhaust Valves

## MINDMAN MVQE QUICK EXHAUST VALVES

### How to Order

Example: **MVQE - 3 0 0 - 8A**

#### Series (Bore)

- 1: 1/8"
- 3: 3/8"
- 4: 1/2"
- 5: 3/4"

#### Style

- 0: Lip (6A~15A)
- 1: Diaphragm (10A~25A)

#### Port Size

- 6A: 1/8" bsp (f) (MVQE-100)
- 8A: 1/4" bsp (f) (MVQE-300)
- 10A: 3/8" bsp (f) (MVQE-300/301)
- 15A: 1/2" bsp (f) (MVQE-301/400)
- 20A: 3/4" bsp (f) (MVQE-501)
- 25A: 1" bsp (f) (MVQE-501)



Lip Style



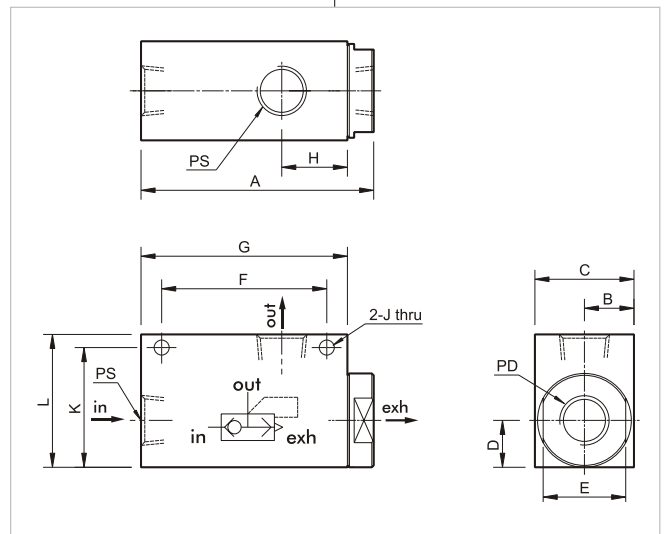
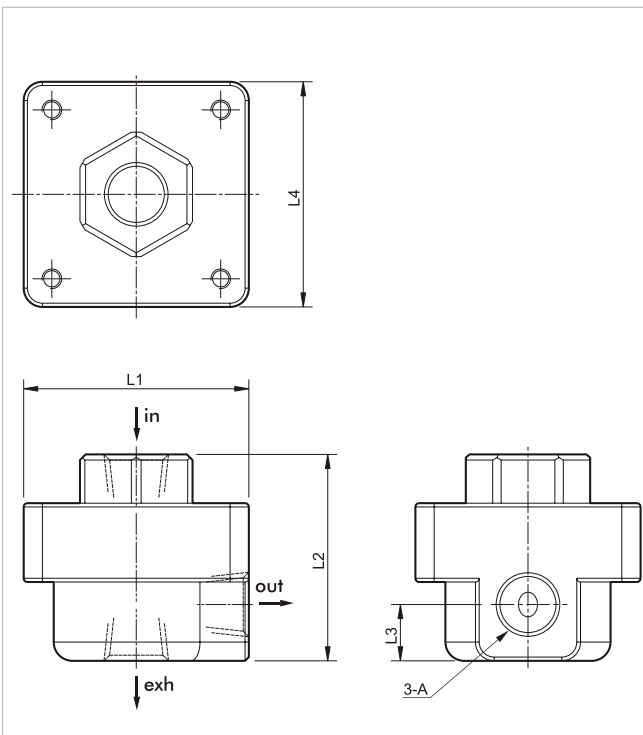
Diaphragm Style

### Technical Specifications

Working Medium	Air
Working Pressure	0.1 - 1.0 MPa
Maximum Test Pressure	1.0 MPa
Maximum Ambient Temperature	-5°C - 60°C

### Dimension Index (Lip Style)

Part Number		A	B	C	D	E	F	G	H	J	K	L	PS	PD
MVQE-100	6A	40	8.25	16.5	9	14	26	35	12	3.4	22.6	26	1/8" bsp (f)	1/8" bsp (f)
MVQE-300	8A	62	13.2	26.4	13	22	45	55	17.5	4	29.5	35.4	3/8" bsp (f)	1/4" bsp (f)
	10A	62	13.2	26.4	13	22	45	55	17.5	4	29.5	35.4	3/8" bsp (f)	3/8" bsp (f)
MVQE-400	15A	69	20	40	20	36	51	62	20	4	46	52	1/2" bsp (f)	1/2" bsp (f)



### Dimension Index (Diaphragm Style)

Part Number		A	L1	L2	L3	L4
MVQE-301	10A	3/8" bsp (f)	60	55	15	60
	15A	1/2" bsp (f)	60	55	15	60
MVQE-501	20A	3/4" bsp (f)	90	82.5	23	90
	25A	1" bsp (f)	90	82.5	23	90



# Axial Valves



LEGRIS 4202 AXIAL VALVE NORMALLY CLOSED, DOUBLE FEMALE

Part Number	Port Size
4202 10 17 20	3/8" bsp (f)
4202 15 21 20	1/2" bsp (f)
4202 20 27 20	3/4" bsp (f)
4202 25 34 20	1" bsp (f)
4202 32 42 20	1 1/4" bsp (f)
4202 40 49 20	1 1/2" bsp (f)
4202 50 48 20	2" bsp (f)

INLINE & MANIFOLD VALVES

ISO VALVES

MANUAL VALVES

MECHANICAL VALVES

AUXILIARY VALVES

## CONTACT US

### Pneumatic Solutions Queensland

1/166 Beatty Road  
Archerfield, Queensland 4108  
Australia

**Telephone** 07 3216 6963

**Facsimile** 07 3216 7065

**Email** [sales@pneumaticsolutions.com.au](mailto:sales@pneumaticsolutions.com.au)

### Pneumatic Solutions Western Australia

1/26G Cohn Street  
Carlisle, Western Australia 6101  
Australia

**Telephone** 08 9361 5677

**Facsimile** 08 9361 5688

**Email** [saleswa@pneumaticsolutions.com.au](mailto:saleswa@pneumaticsolutions.com.au)

[www.pneumaticsolutions.com.au](http://www.pneumaticsolutions.com.au)